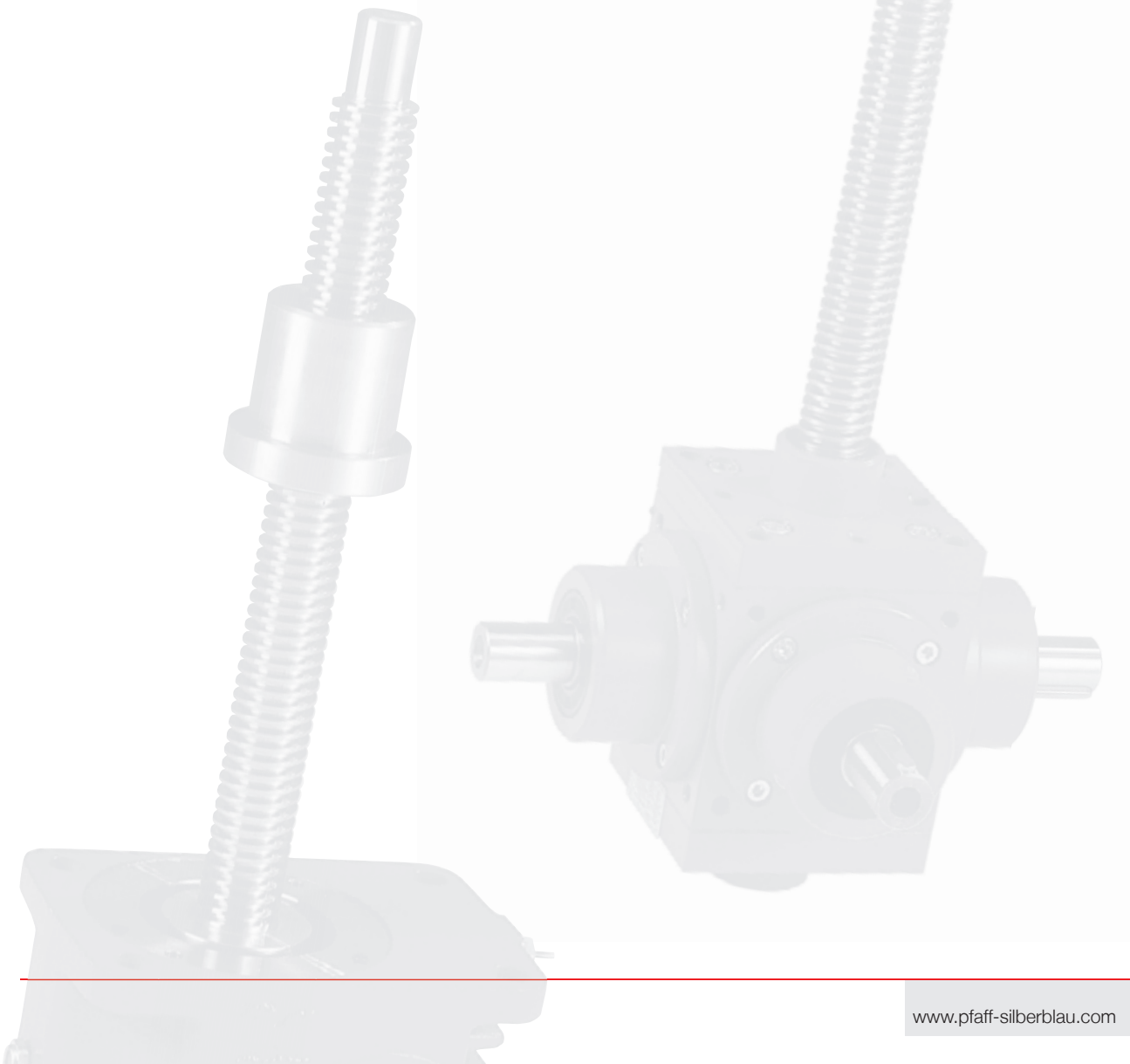


Screw jacks

Contents

3	Screw jacks	27-114
3.1	Construction support	28-30
3.1.1	Specifications/Solution system	28
3.1.2	Construction	28-30
3.2	Configuration type 1 - Configuration type 2	31
3.3	Structural configurations	32-39
3.3.1	SHE range type 1	32-33
3.3.2	MERKUR range type 1	32-33
3.3.3	SHE range type 2	34-35
3.3.4	MERKUR range type 2	34-35
3.3.5	HSE range type 1	36-37
3.3.6	HSE range type 2	36-37
3.3.7	SHG range type 1	38-39
3.3.8	SHG range type 2	38-39



Screw jacks

3.1 Construction support

The wide range of possible applications for our drive systems reveal their great versatility – which is increased even further through our customized solutions. Whatever operating task needs performing, whatever function you require – we can supply the right standard, modified or special solution, successfully combining off-the-peg elements with totally task-specific answers to your specifications. Just contact your technical specialist and draw up a draft solution for your particular task at hand.

3.1.1 Specifications/Solution system

In order to help you finding the correct specification we are indicating below both the task specification and the corresponding solution.

3

Your task specification

- Screw jack requirements
- Special configuration factors and features

Our solution

- Suggested solutions and recommendations

3.1.2 Construction

Your task specification	Symbol	Our solution
<ul style="list-style-type: none"> • No on site guidance possible • Lateral forces cannot be ruled out • Restoring forces produced by swivelling motion 		<p>1 2nd guide ring increases stability and prevents non-permitted edge compression on the nut thread</p> <p>2 Articulated head joint screw mounting</p>
		<p>Movable travelling nut mounting Use trunnion or spherical nut support</p> <p>Note: Lateral forces should be avoided, as they drastically reduce the service life of the supporting nut</p>
<ul style="list-style-type: none"> • Worm gear screw jack as single drive unit without on site guidance • No on site anti-turn device available • With/Without lift limitation 		<p>Anti-turn device Standard system using square tube or special configuration with feather key (for low lifting forces)</p>
<ul style="list-style-type: none"> • Mechanical run-out prevention system required • With/Without lift limitation 		<p>Mechanical lift limitation, configuration type 1 Screw end with mechanical end stop for emergency limiting. Protection tube with fitted limit switches</p>
<ul style="list-style-type: none"> • Swivelling/Tipping movements provided by worm gear screw jacks • With/Without lift limitation 		<p>Swivel-lug configuration Secure drive elements at two points using moveable mountings. This can be done using head IV on both screw ends or articulated head. The bending moments resulting from the swivelling motion should be minimized as much as possible by means of low-friction joints.</p>

Screw jacks

3

Your task specification	Symbol	Our solution
<ul style="list-style-type: none"> Requirement for constant axial play in trapezoidal screw thread 		<p>Configuration with adjustable play Special configuration with pre-stressed double nuts, axial play can be readjusted via housing cover. Special configuration with pre-stressed double travelling nuts. Axial play can be readjusted. Note: Only applies to load reversal (tensile and compression load). No readjustment is required if ball screws are used.</p>
<ul style="list-style-type: none"> Requirement for increased operating safety Limitation of material damage in event of nut breaking 		<p>Short safety nut</p> <ul style="list-style-type: none"> Supporting nut with short safety nut Visual wear monitoring <p>Note: Monitoring is only possible in one load direction.</p>
<ul style="list-style-type: none"> Requirement for personal safety measures and/or conformity to VBG 14 accident prevention standards (persons under raised load/working platforms) Or configuration conforming to BGV C1 (VBG 70) standards for stages and broadcasting studios 		<p>Long safety nut In the case of worm gear screw jacks used on theatre stages BGV C1 (VBG 70), lifting platforms (VBG 14) or lifting systems that might affect personal safety, screw jacks are designed according to current regulations, and include such items as anti-drop systems (self-locking screws and/or mechanical safety brakes as part of the drive system). The function of the synchronizing device is guaranteed, if required, by additional components.</p>
<ul style="list-style-type: none"> Large lifting capacity with small installation space 		<p>Telescopic configuration Right-/left-handed screw system requires – with large stroke – only half the length of protection tube (stroke x 0,5 + approx. 30 mm)</p>
<ul style="list-style-type: none"> Large lifting lengths and unfavourable clamping with minimal lifting force 		<p>Reinforced screw for configuration type 2, possible under certain circumstances for configuration type 1</p>
<ul style="list-style-type: none"> No accidental lowering of load while unit is shutdown 		<p>Single-start trapezoidal screw Tr with self-locking system (e. g.: Tr 40x7)</p>
<ul style="list-style-type: none"> High lifting capacity for same screw diameter 		<p>Buttress-thread screw S</p>
<ul style="list-style-type: none"> High lifting speed required Economical alternative to ball screw 		<p>Multi-start trapezoidal screw Tr</p> <ul style="list-style-type: none"> Efficiency rating (Tr > 50 %) (e. g.: 2-start screw Tr 40x14 P7) No self-locking system -> motor brake always required
<ul style="list-style-type: none"> Self-locking out of actuation No motor brake desired 		<p>Single-start trapezoidal screw with special lead * No additional motor brake required (e. g.: Tr 40x5)</p>
<ul style="list-style-type: none"> High lifting speed required Minimal axial play ($\leq 0,03$ mm) High lead accuracy P300 $\leq 0,05$ mm Minimal friction required 		<p>Ball screw Ku or PI planetary roller screw</p> <ul style="list-style-type: none"> Efficiency rating $\eta_{Ku} \approx 90\%$ $\eta_{PI} \approx 65\%$ No self-locking system -> motor brake always required

3.1 Construction support

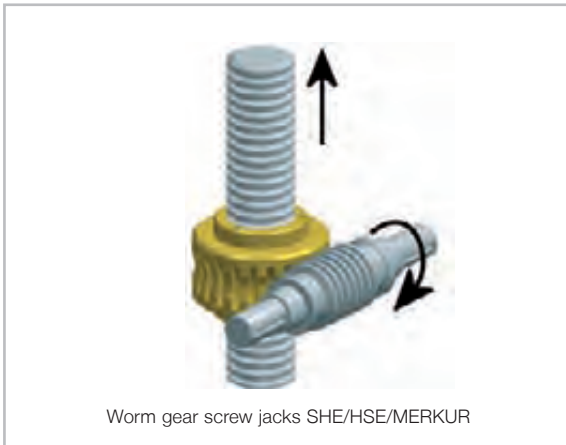
3

Your task specification	Symbol	Our solution
<ul style="list-style-type: none"> Positioning Position measurement 		<p>Shaft encoder installation</p> <p>Available as option for all common makes Fitted directly to worm gear screw jack</p> <ul style="list-style-type: none"> Angle incremental encoder SSI absolute-value transmitter or DP Profibus
<ul style="list-style-type: none"> Available installation space is limited 		<p>Hollow shaft</p> <p>Motor installation via hollow shaft and IEC flange</p>
<ul style="list-style-type: none"> Motor should be directly attached to screw jack 		<p>Motor mounting flanges</p>
<ul style="list-style-type: none"> Components are required to perform swivelling movements 		<p>Swivel mounting bases complete with bearing seats</p> <p>Swivel plates</p>
<ul style="list-style-type: none"> Active protection against dust, dirt or moisture required 		<p>Screw protection</p> <p>Flexible protection boots Spiral spring cover</p>
<ul style="list-style-type: none"> Variable structural attachment methods desired 		<p>Spindle heads</p> <p>Head I = plain head Head II = flange plate Head III = threaded head Head IV = rod-type head Head GK = fork-type head Option = articulated head</p>
<ul style="list-style-type: none"> Manual operation and/or manual emergency actuation required 		<p>Hand wheel</p> <p>Only advisable for emergency use or for small lifting movements. Conforming to DIN 950, compatible with the corresponding worm gear screw jack, supplied ready-drilled and keyed</p>

Screw jacks

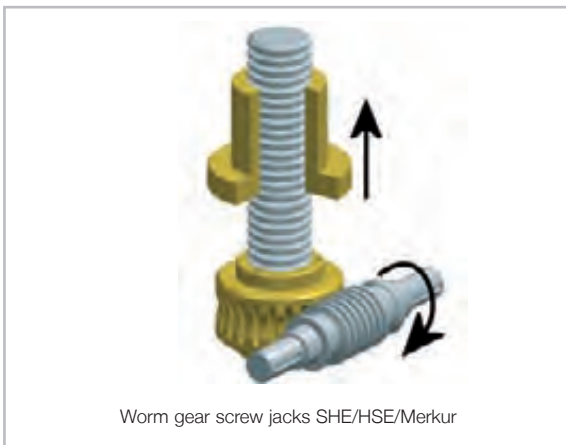
3.2 Configuration type 1 - Configuration type 2

Type 1: Axial lifting screw; nut thread integrated into worm gear



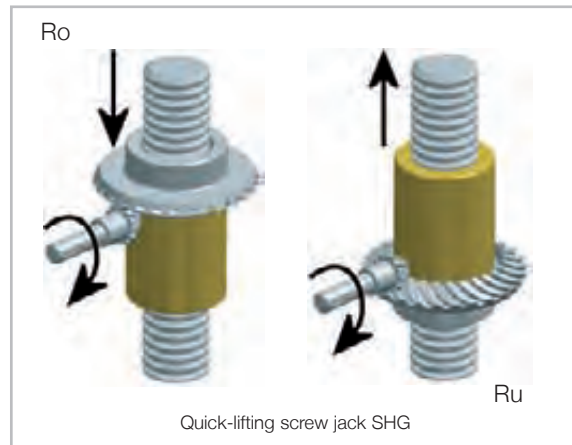
Drive is effected by the worm shaft acting on the worm wheel with nut thread. Lifting movement is effected by an anti-turn device (supplied with unit or added on site).

Type 2: Rotating screw; nut thread in travelling nut outside the housing



Drive is effected by the worm shaft acting on the worm wheel. Rotating movement is effected by the positive engagement of the screw in the worm wheel. Lifting movement is effected by the travelling nut anti-turn device fitted on site.

Type 1: Axial lifting screw; nut thread integrated into bevel gear



Drive is provided by the driving pinion acting on the bevel gear with nut thread. Lifting movement is effected by an anti-turn device (supplied with unit or added on site). The alignment of the bevel gear (Ro or Ru) determines the direction of rotation. (Ro = top wheel / Ru = bottom wheel)

Type 2: Rotating screw; nut thread in travelling nut outside the housing



Drive is effected by the driving pinion acting on the bevel gear. Rotating movement is effected by the positive engagement of the screw in the bevel gear. Lifting movement is effected by the travelling nut anti-turn device fitted on site. The alignment of the bevel gear (Ro = wheel upside / Ru = wheel downside) determines the direction of rotation (see type 1).

Note: standard configuration = right-handed screw;



axial movement (direction)

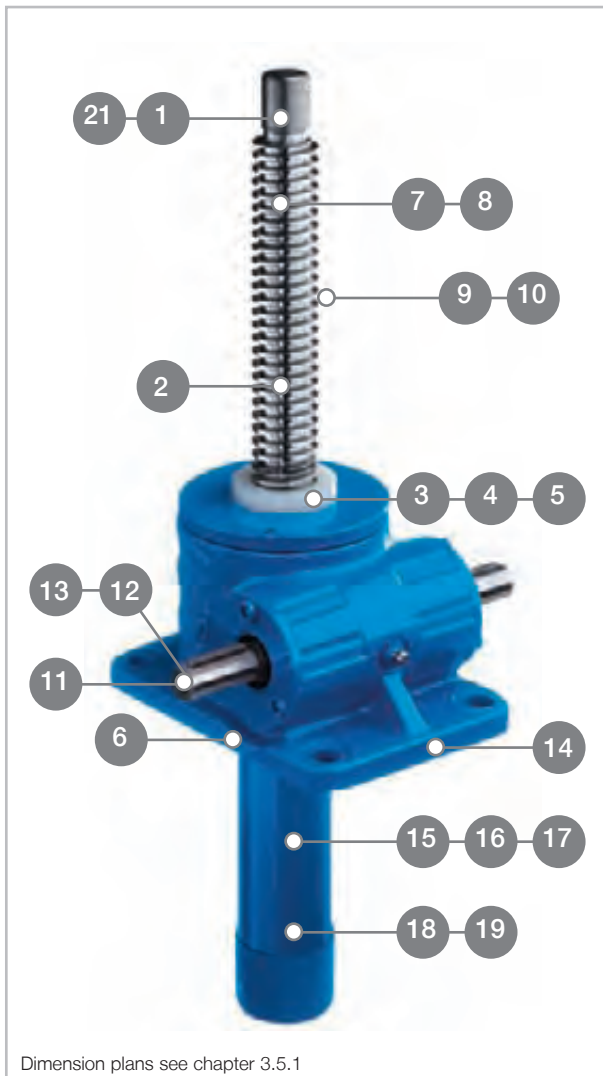


turning direction of drive shaft

3.3 Structural configurations

3.3.1 SHE range type 1

Type 1 (lifting screw) - robust construction for low and medium lifting speeds



Modular design:

14 different sizes

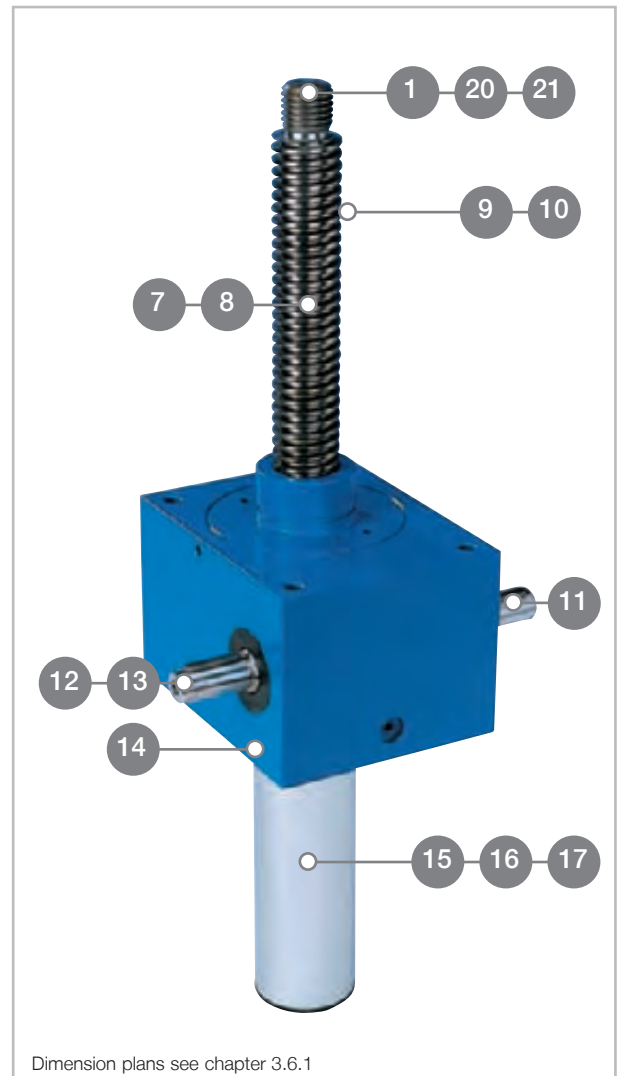
With lifting capacities ranging from 5 kN to 2000 kN

Input speeds of up to 1500 rpm

- Self-locking trapezoidal screw
- Grease-lubricated configuration
- Worm gear pairs in two ratio steps (normal "N" and slow "L")
- Worm-drive shaft is case-hardened and ground

3.3.2 MERKUR range type 1

Type 1 (lifting screw) – cubical design; alternative to SHE



Modular design:

9 different sizes

With lifting capacities ranging from 2.5 kN to 500 kN

Input speeds of up to 1500 rpm

- All-round configuration permits easy alignment
- Conforms to European manufacturers' standards for screw jacks in cubical design
- Self-locking trapezoidal screw
- Grease-lubricated configuration
- Worm gear pairs in two ratio steps (normal "N" and slow "L")

Screw jacks

3.3 Structural configurations

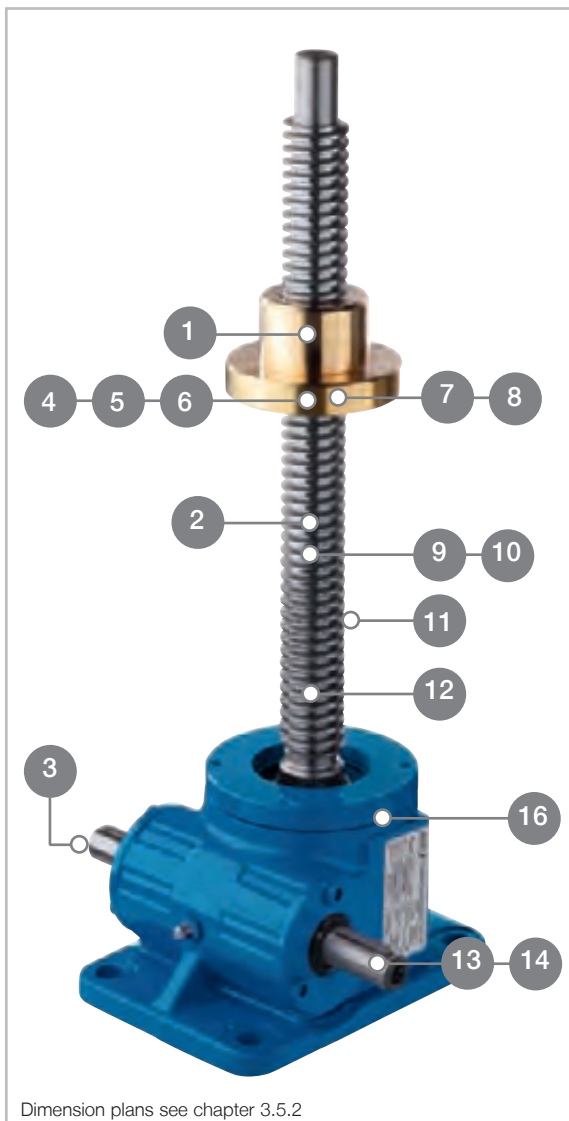
No.	Symbol	SHE range type 1	MERKUR range type 1	No.	Symbol	SHE range type 1	MERKUR range type 1
1		•	•	12		•	•
2		•		13		•	•
3		•		14		•	•
4		•	•	15		•	•
5		•	•	16		•	•
6		•		17		•	•
7		•	•	18		•	•
8		•	•	19		•	
9		•		20			•
10		•	•	21		•	•
11		•	•				

- SHE and MERKUR of standard configuration
- Options and accessories

3.3 Structural configurations

3.3.3 SHE range type 2

Type 2 (rotating screw) - robust construction for low and medium lifting speeds



Modular design:

14 different sizes

With lifting capacities ranging from 5 kN to 2000 kN

Input speeds of up to 1500 rpm

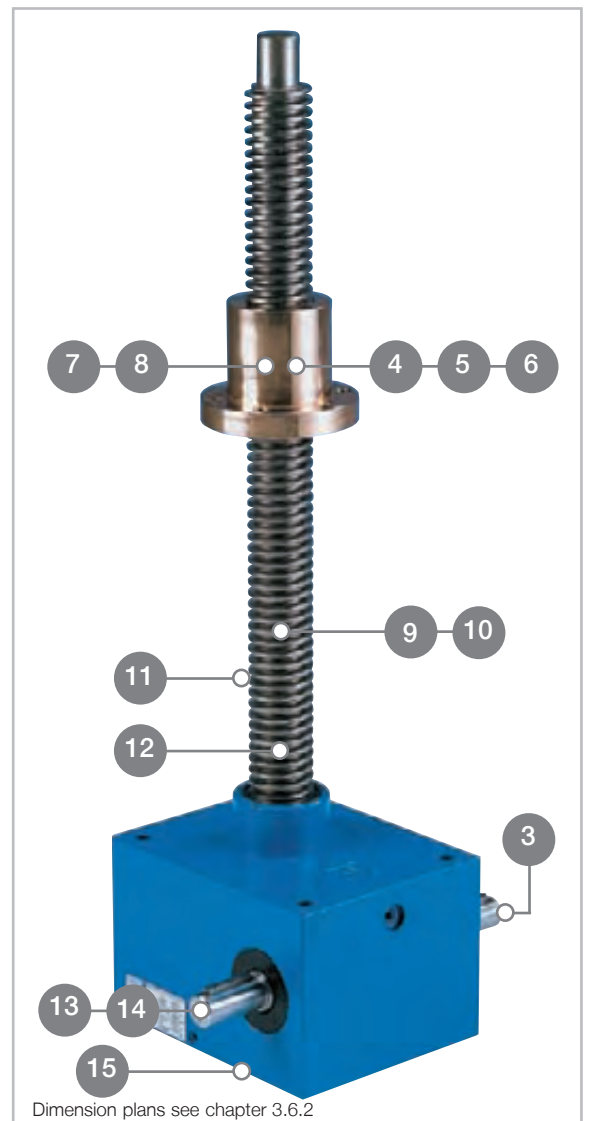
- Self-locking trapezoidal screw
- Grease-lubricated configuration
- Worm gear pairs in two ratio steps

(normal "N" and slow "L")

- Worm-drive shaft is case-hardened and ground

3.3.4 MERKUR range type 2

Type 2 (rotating screw) - cubical design; alternative to SHE



Modular design:

9 different sizes

With lifting capacities ranging from 2.5 kN to 500 kN

Input speeds of up to 1500 rpm

- All-round configuration permits easy alignment
- Equivalent to European manufacturers' standards for screw jacks in cubical design
- Self-locking trapezoidal screw
- Grease-lubricated configuration
- Worm gear pairs in two ratio steps (normal "N" and slow "L")

Screw jacks

3.3 Structural configurations

No.	Symbol	SHE range type 2	MERKUR range type 2	No.	Symbol	SHE range type 2	MERKUR range type 2
1		•	•	9		•	
2		•	•	10		•	•
3		•	•	11		•	•
4		•	•	12		•	•
5		•	•	13		•	•
6		•	•	14		•	•
7		•	•	15		•	•
8		•	•	16		•	•

- SHE and MERKUR of standard configuration
- Options and accessories

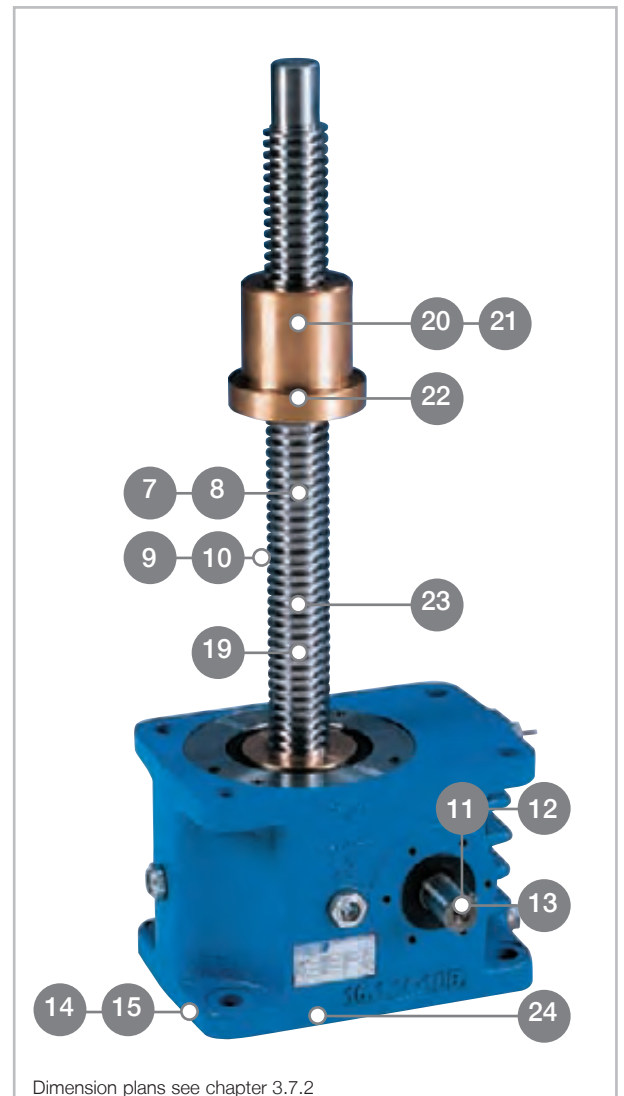
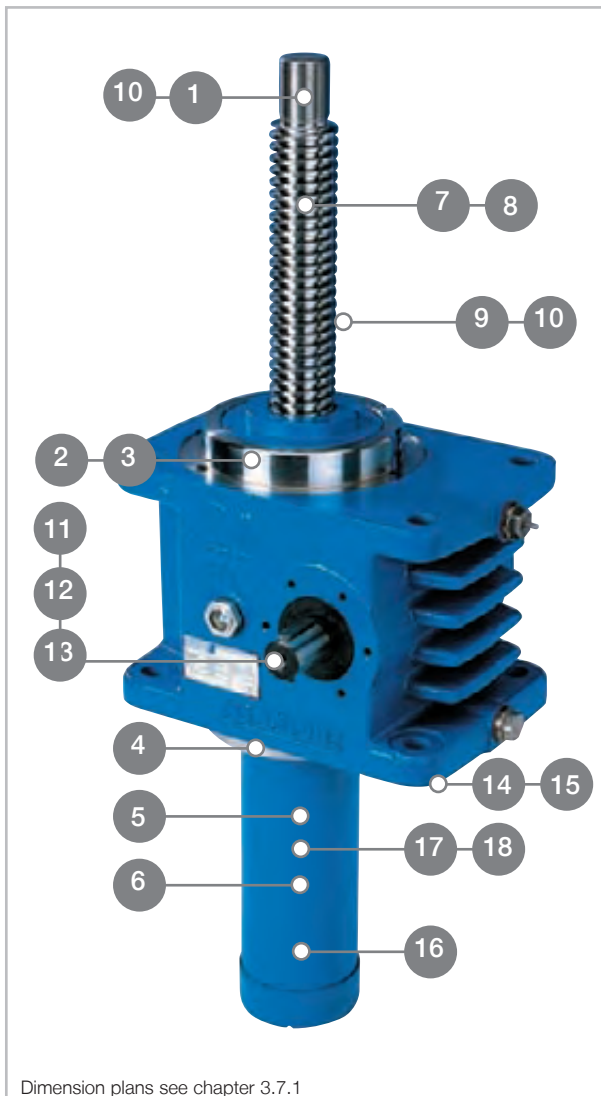
3.3 Structural configurations

3.3.5 HSE range type 1

3.3.6 HSE range type 2

Type 1 (lifting screw) and type 2 (rotating screw) - patented gearing construction with different heat zones for medium and high lifting speeds

3



Modular design for configuration type 1 and type 2:

8 different sizes with lifting capacities ranging from 5 kN to 1000 kN

Input speeds of up to 3000 rpm

- Self-locking trapezoidal screw
- Separate lubricating circuits: Tr screw with grease-lubrication and worm gears with oil-splash lubrication
- Worm gear pairs in two ratio steps (normal "N" und slow "L")
- Worm-drive shaft is case-hardened and ground

Screw jacks

No.	Symbol	HSE range type 1	HSE range type 2	No.	Symbol	HSE range type 1	HSE range type 2
1		•		13		•	•
2		•		14		•	•
3		•		15		•	•
4		•		16		•	
5		•		17		•	
6		•		18		•	
7		•	•	19			•
8		•	•	20			•
9		•	•	21			•
10		•	•	22			•
11		•	•	23			•
12		•	•	24			•

• HSE type1 and type 2 of standard configuration • Options and accessories

Screw jacks

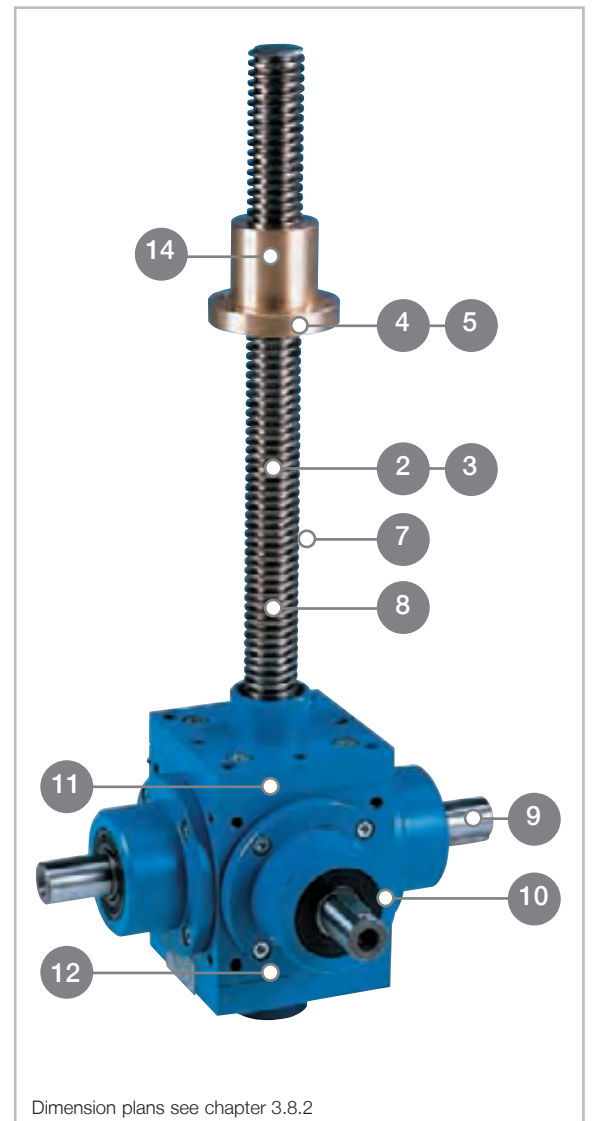
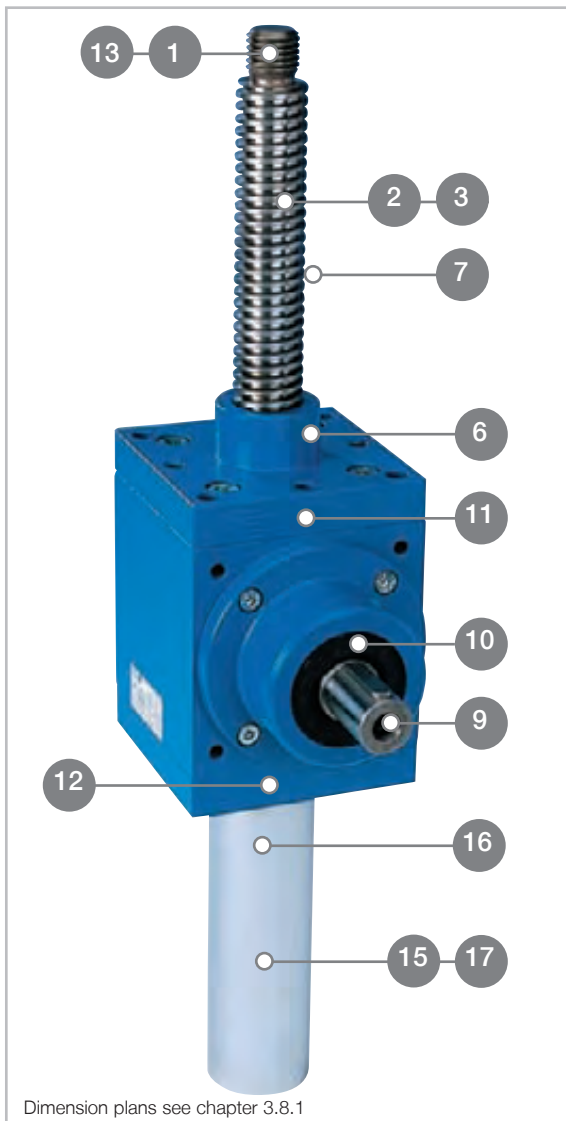
3.3 Structural configurations

3.3.7 SHG range type 1

3.3.8 SHG range type 2

Type 1 (lifting screw) and type 2 (rotating screw) - spiral bevel gear boxes for high lifting speeds, high efficiency ratings and long service life

3



Modular design for configuration type 1 and type 2:

4 different sizes with lifting capacities ranging from 15 kN to 90 kN

Lifting speeds of up to 19 m/min

Input speeds of up to 3000 rpm

- Self-locking trapezoidal screw
- Separate lubricating circuits: Tr screw with grease-lubrication and bevel gear boxes with oil-splash lubrication
- Bevel gear boxes in two ratio steps (2:1 and 3:1 as required)
- Gearing is case-hardened and ground

Screw jacks

3.3 Structural configurations

No.	Symbol	SHG range type 1	SHG range type 2
1		•	
2		•	•
3		•	•
4			•
5			•
6		•	
7		•	•

- SHG of standard configuration
- Options and accessories

No.	Symbol	SHG range type 1	SHG range type 2
8			•
9		•	•
10		•	•
11		•	•
12		•	•
13		•	
14			•
15		•	
16		•	
17		•	

Screw jacks

Application example

3



Pict.: Egypt-Air Works photo: MERO-Airporttechnik

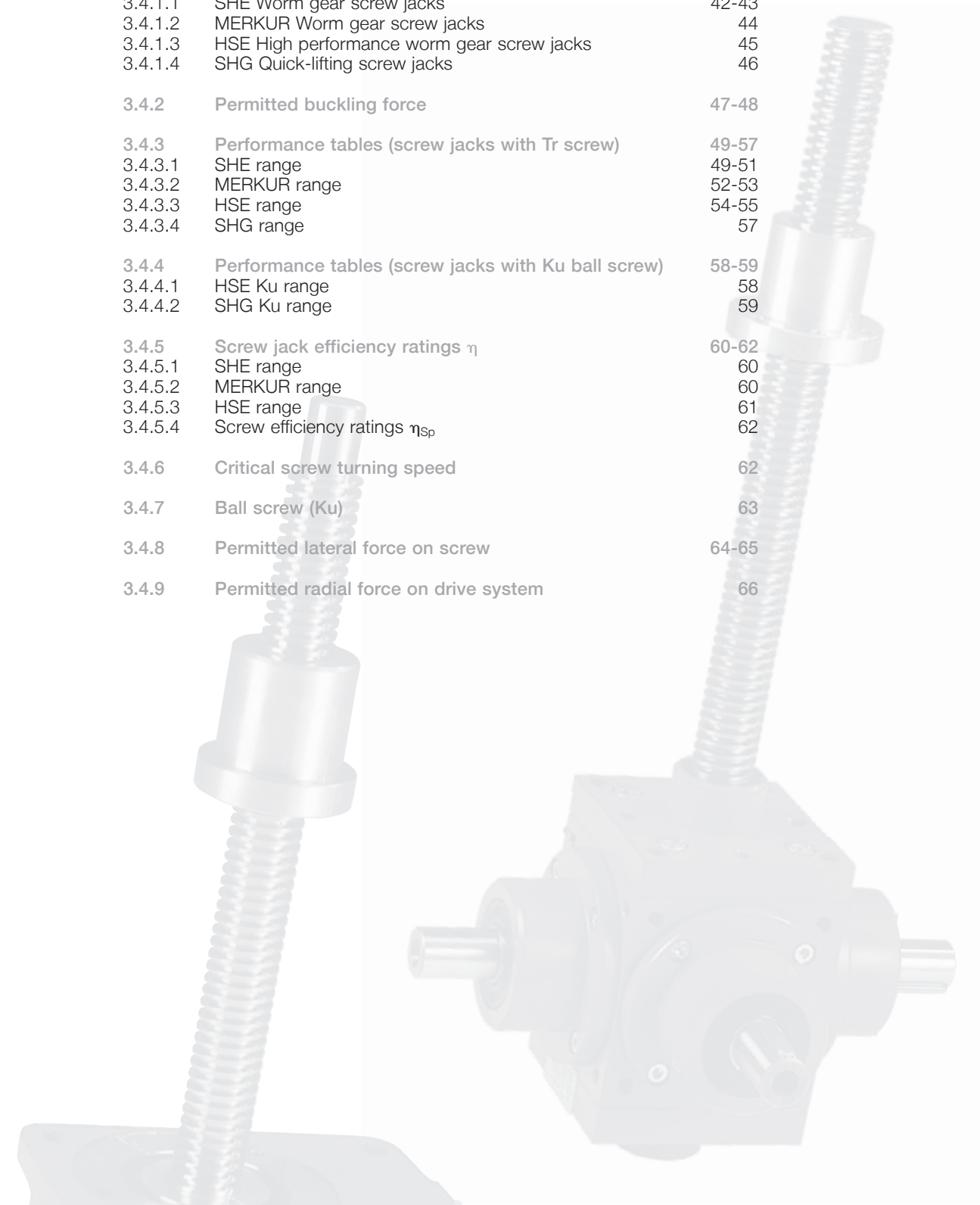
HSE high performance worm gear screw jacks (type 1) with long safety nut conforming to VBG 14 – used for adjusting the height of aircraft maintenance platforms.



Screw jacks

Contents

3.4	Technical information	41-66
3.4.1	Table of settings	42-46
3.4.1.1	SHE Worm gear screw jacks	42-43
3.4.1.2	MERKUR Worm gear screw jacks	44
3.4.1.3	HSE High performance worm gear screw jacks	45
3.4.1.4	SHG Quick-lifting screw jacks	46
3.4.2	Permitted buckling force	47-48
3.4.3	Performance tables (screw jacks with Tr screw)	49-57
3.4.3.1	SHE range	49-51
3.4.3.2	MERKUR range	52-53
3.4.3.3	HSE range	54-55
3.4.3.4	SHG range	57
3.4.4	Performance tables (screw jacks with Ku ball screw)	58-59
3.4.4.1	HSE Ku range	58
3.4.4.2	SHG Ku range	59
3.4.5	Screw jack efficiency ratings η	60-62
3.4.5.1	SHE range	60
3.4.5.2	MERKUR range	60
3.4.5.3	HSE range	61
3.4.5.4	Screw efficiency ratings η_{Sp}	62
3.4.6	Critical screw turning speed	62
3.4.7	Ball screw (Ku)	63
3.4.8	Permitted lateral force on screw	64-65
3.4.9	Permitted radial force on drive system	66



3.4 Technical information

3.4.1 Table of settings

3.4.1.1 Worm gear screw jacks SHE

Size		0,5	1.1 ⁴⁾	2	3.1 ⁴⁾	5.1 ⁴⁾	(10)	15.1 ⁴⁾
Max. lifting capacity dyn/stat	[kN]	5/5	15/15	20/20	30/45	50/75	on request	100/150
Max. tensile load dyn/stat	[kN]	5/5	10/10	19/19	30/45	50/75		99/99
Screw Tr ¹⁾		18x6	24x5	26x6,28	30x6	40x7		60x12
Ratio N		10:1	5:1	6:1	6:1	6:1		7 2/3:1
Lift per revolution for ratio N	[mm/per rev.]	0,60	1,0	1,047	1,0	1,167		1,565
Ratio L		20:1	20:1	24:1	24:1	24:1		24:1
Lift per revolution for ratio L	[mm/per rev.]	0,30	0,25	0,262	0,25	0,292		0,50
Max. drive capacity ²⁾ at 20 °C ambient temp. and 20 % ED/h	[kW]	0,17	0,4	0,5	0,65	1,15		2,7
Max. drive capacity ²⁾ at 20 °C ambient temp. and 10 % ED/h	[kW]	0,25	0,6	0,75	0,9	1,65		3,85
Overall efficiency for ratio N	[%]	31	30	31	27	24		27
Overall efficiency for ratio L	[%]	24	23	18	19	16		17
Screw efficiency rating	[%]	54	41	45	40	36,5		39,5
Torque, capacity, turning-speed at 20 % ED/h and 20 °C		see performance tables 3.4.3.1						
Screw torque at max. lifting power	[Nm]	8,8	29,1	44	60	153	on request	702
Max. permitted drive-shaft torque	[Nm]	12	29,4	36	46,5	92		195
Max. permitted screw length for compression load	[mm]	see buckling diagrams 3.4.2						
Housing material		G-AlSiCu4			GGG			
Weight without stroke length and protection tube	[kg]	1,2	3,0	7,3	7,3	16,2	on request	26,5
Screw weight per 100 mm stroke	[kg]	0,14	0,26	0,32	0,45	0,82		1,79
Amount of lubricant in worm gear	[kg]	0,05	0,1	0,15	0,2	0,35		0,9
Mass moment of inertia J ³⁾ Ratio N type 1	[kg cm ²]	0,095	0,383	0,651	0,780	2,234		5,256
Mass moment of inertia J ³⁾ Ratio N type 2	[kg cm ²]	0,100	0,390	0,657	0,792	2,273		5,356
Mass moment of inertia J ³⁾ Ratio L type 1	[kg cm ²]	0,089	0,269	0,459	0,558	1,696		4,081
Mass moment of inertia J ³⁾ Ratio L type 2	[kg cm ²]	0,089	0,275	0,460	0,558	1,699		4,091

Dimension plans type 1 - chapter 3.5.1/type 2 - chapter 3.5.2

¹⁾ Also applies to Ku screw, see chapter 3.4.7

²⁾ Max. permitted values for type 1 and Tr screw.

Higher values are possible when using type 2 or Ku screw.

³⁾ Referring to 100 mm screw length

⁴⁾ Size X.1 replaces previous size

The new sizes are compatible with the previous sizes.

Previous sizes are available upon request.

Screw jacks

3.4 Technical information

20.1 ⁴⁾	25	35	50.1 ⁴⁾	75	100.1 ⁴⁾	150	200.1 ⁴⁾	Size
200/200	250/250	350/350	500/500	750/750	800/1000	1500/1500	2000/2000	Max. lifting capacity dyn/stat
178/200	250/250	350/350	500/500	750/750	800/1000	1500/1500	-	Max. tensile load dyn/stat
70x12	90x16	100x16	120x16	140x20	160x20	190x24	220x28	Screw Tr ¹⁾
8:1	10 2/3:1	10 2/3:1	10 2/3:1	12:1	12:1	19:1	17,5:1	Ratio N
1,50	1,50	1,50	1,50	1,667	1,667	1,263	1,60	Lift per revolution for ratio N
24:1	32:1	32:1	32:1	36:1	36:1	-	-	Ratio L
0,50	0,50	0,50	0,50	0,556	0,556	-	-	Lift per revolution for ratio L
3,8	5,0	6,0	7,4	9,0	12,5	18,5	on request	Max. drive capacity ²⁾ at 20 °C ambient temp. and 20 % ED/h
5,4	7,2	8,6	10,4	12,6	17,5	26	on request	Max. drive capacity ²⁾ at 20 °C ambient temp. and 10 % ED/h
24	22	21	15	18	15	15	17,5	Overall efficiency of ratio N
17	15	14	10	12	9	-	-	Overall efficiency of ratio L
37,5	36,5	34	30	31,6	28,5	28,8	29	Screw efficiency rating
see performance tables 3.4.3.1								Torque, capacity, turning-speed at 20 % ED/h and 20 °C
1061	1725	2600	4235	7550	11115	19850	30700	Screw torque at max. lifting power
280	480	705	840	2660	2660	4260	on request	Max. permitted drive-shaft torque
see buckling diagrams 3.4.2								Max. permitted screw length for compression load
GGG					GS			Housing material
36	70,5	87	176	ca. 350	538	850	ca. 1000	Weight without stroke length and protection tube
2,52	4,15	5,2	7,7	10,0	13,82	19,6	26,2	Screw weight per 100 mm stroke
2,0	1,3	2,5	4,0	5,0	10,0	10,0	on request	Amount of lubricant in worm gear
11,93	23,42	55,80	108,8	318,0	428,5	on request	on request	Mass moment of inertia J ³⁾ Ratio N type 1
12,14	23,74	56,30	109,9	325,2	431,3	on request	on request	Mass moment of inertia J ³⁾ Ratio N type 2
9,427	19,59	44,08	88,37	275,6	346,0	on request	on request	Mass moment of inertia J ³⁾ Ratio L type 1
9,451	19,62	44,13	88,49	279,4	346,3	on request	on request	Mass moment of inertia J ³⁾ Ratio L type 2

3.4 Technical information

3.4.1.2 Worm gear screw jacks MERKUR

Size		M0	M1	M2	M3	M4	M5	M6	M7	M8	
Max. lifting capacity	[kN]	2,5	5	10	25	50	150	250	350	500	
Max. tensile load	[kN]	2,5	5	10	25	50	150	250	350	500	
Screw Tr ¹⁾		14x4	18x4	20x4	30x6	40x7	60x9	80x10	100x10	120x14	
Ratio N		4:1	4:1	4:1	6:1	7:1	9:1	10:1	10:1	14:1	
Lift per revolution for ratio N	[mm/rev]	1,0	1,0	1,0	1,0	1,0	1,0	1,0	1,0	1,0	
Ratio L		16:1	16:1	16:1	24:1	28:1	36:1	40:1	40:1	56:1	
Lift per revolution for ratio L	[mm/rev]	0,25	0,25	0,25	0,25	0,25	0,25	0,25	0,25	0,25	
Max. drive capacity ²⁾ at 20 °C ambient temp. and 20 % ED/h	[kW]	0,18	0,3	0,5	1,2	2,3	5,1	10	15	22	
Max. drive capacity ²⁾ at 20 °C ambient temp. and 10 % ED/h	[kW]	0,25	0,42	0,7	1,7	3,2	7,1	14	21	30	
Overall efficiency of ratio N	[%]	34	30	28	27	25	19	19	15	15	
Overall efficiency of ratio L	[%]	24	23	21	19	18	14	14	11	11	
Screw efficiency rating	[%]	49	42,5	40	40	36,5	32,5	29	24	28	
Torque, capacity, turning-speed at 20 % ED/h and 20 °C		see performance tables 3.4.3.2									
Screw torque at max. lifting power	[Nm]	3,2	7,5	16	60	153	437	1390	2312	4100	
Max. permitted drive-shaft torque	[Nm]	1,5	3,4	7,1	18	38	93	240	340	570	
Max. permitted screw length for compression load	[mm]	see buckling diagrams 3.4.2									
Housing material		Al-Leg			GG			GGG			
Weight without stroke length and protection tube	[kg]	0,6	1,2	2,1	6	17	32	57	85	160	
Screw weight per 100 mm stroke	[kg]	0,1	0,35	0,45	0,7	1,2	2	4,2	6,6	10,3	
Amount of lubricant in worm gear	[kg]	0,03	0,08	0,14	0,24	0,8	1,1	2,0	2,7	3,2	
Mass moment of inertia J ³⁾ Ratio N type 1	[kg cm ²]	0,070	0,122	0,160	0,780	1,917	3,412	16,04	49,12	96,27	
Mass moment of inertia J ³⁾ Ratio N type 2	[kg cm ²]	0,069	0,126	0,165	0,794	1,952	3,741	17,58	52,45	103,39	
Mass moment of inertia J ³⁾ Ratio L type 1	[kg cm ²]	0,045	0,088	0,115	0,558	1,371	2,628	12,35	37,05	72,62	
Mass moment of inertia J ³⁾ Ratio L type 2	[kg cm ²]	0,050	0,091	0,119	0,552	1,381	2,647	12,44	37,37	73,15	

Dimension plans type 1 - chapter 3.6.1/type 2 - chapter 3.6.2

¹⁾ Also applies to Ku screw, see chapter 3.4.7

²⁾ Max. permitted values for type 1 and Tr screw. **Higher values are possible when using type 2 or Ku screw.**

³⁾ Referring to 100 mm screw length

Screw jacks

3.4 Technical information

3.4.1.3 High performance worm gear screw jacks HSE

Size		32 ⁵⁾	36.1 ⁴⁾	50.1 ⁴⁾	63.1 ⁴⁾	80.1 ⁴⁾	100.1 ⁴⁾	125.1 ⁴⁾	140	200.1 ⁴⁾
Max. lifting capacity	[kN]	5	10	25	50	100	200	350		1000
Max. tensile load	[kN]	5	10	25	50	100	178	350		1000
Screw Tr ¹⁾		18x6	24x5	40x8	50x9	60x12	70x12	100x16		160x20
Ratio N		4:1	5:1	6:1	7:1	8:1	8:1	10 2/3:1		13 1/3:1
Lift per revolution for ratio N	[mm/per rev.]	1,5	1,0	1,33	1,28	1,5	1,5	1,5		1,5
Ratio L		16:1	20:1	24:1	28:1	32:1	32:1	32:1	on request	40:1
Lift per revolution for ratio L	[mm/per rev.]	0,375	0,25	0,33	0,32	0,375	0,375	0,5		0,5
Max. drive capacity ²⁾ at 20 °C ambient temp. and 20 % ED/h	[kW]	0,60	0,90	1,5	2,3	3,6	4,8	7,7		17,9
Max. drive capacity ²⁾ at 20 °C ambient temp. and 10 % ED/h	[kW]	1,0	1,5	2,6	4,0	6,3	8,4	13,5		31
Overall efficiency of ratio N	[%]	see efficiency ratings tables 3.4.5.3								
Overall efficiency of ratio L	[%]	see efficiency ratings tables 3.4.5.3								
Screw efficiency rating	[%]	54	41	40	36,5	39,5	35,5	34	on request	28,5
Torque, capacity, turning-speed at 20 % ED/h and 20 °C		see performance tables 3.4.3.3								
Screw torque at max. lifting power	[Nm]	7,4	18,4	80	190	478	1060	2600		11115
Max. permitted drive-shaft torque	[Nm]	12,6	29,4	48,7	168	398	705	975	on request	4260
Max. permitted screw length for compression load	[mm]	see buckling diagrams 3.4.2								
Housing material		AISI 12			GGG 50					
Weight without stroke length and protection tube	[kg]	2,0	4,0	13	25	47	74	145		870
Screw weight per 100 mm stroke	[kg]	0,16	0,23	0,82	1,3	1,79	2,52	5,2		13,82
Amount of lubricant in worm gear	[kg]	0,07	0,15	0,4	0,9	1,5	2,1	5,0		15,5
Mass moment of inertia J ³⁾										
Ratio N type 1	[kg cm ²]	0,237	0,466	1,247	3,100	11,97	30,11	60,76	on request	-
Ratio N type 2	[kg cm ²]	0,270	0,513	1,364	3,378	13,05	32,21	65,76		-
Ratio L type 1	[kg cm ²]	0,150	0,204	0,638	1,804	8,13	20,91	44,88		-
Ratio L type 2	[kg cm ²]	0,153	0,207	0,645	1,822	8,20	21,04	45,43		-

Dimension plans type 1 - chapter 3.7.1/type 2 - chapter 3.7.2

¹⁾ Also applies to Ku screw, see chapter 3.4.7

²⁾ Max. permitted values for type 1 and Tr screw. **Higher values are possible when using type 2 or Ku screws.**

³⁾ Referring to 100 mm screw length

⁴⁾ Size X.1 replaces previous size

The new sizes are compatible with the previous sizes.

Previous sizes are available upon request.

⁵⁾ Size 32 replaces previous size 31.

3.4 Technical information

3.4.1.4 Quick-lifting screw jacks SHG

Size		G 15	G 25	G 50	G 90
Max. lifting capacity	[kN]	15	25	50	90
Max. tensile load	[kN]	15	25	50	90
Screw Tr ¹⁾		24x5	35x8	40x7	60x9
Ratio N		2:1			
Lift per revolution for ratio N	[mm/rev.]	2,5	4	3,5	4,5
Ratio L		3:1			
Lift per revolution for ratio L	[mm/rev.]	1,66	2,67	2,33	3
Max. drive capacity ²⁾ at 20 °C ambient temp. and 20 % ED/h	[kW]	1,0	1,5	2,4	8,9
Max. drive capacity ²⁾ at 20 °C ambient temp. and 10 % ED/h	[kW]	1,3	2,6	3,8	13
Screw efficiency rating	[%]	41	43	37	33
Torque, capacity, turning-speed at 20 % ED/h and 20 °C		see performance tables 3.4.3.4			
Screw torque at max. lifting power	[Nm]	29,4	73,2	123,4	398,5
Max. permitted drive-shaft torque	[Nm]	50	125	175	1600
Max. permitted screw length for compression load	[mm]	see buckling diagrams 3.4.2			
Housing material		GG	AlSi10Mg	GG	
Weight without stroke length and protection tube	[kg]	9	13,5	23	85
Screw weight per 100 mm stroke	[kg]	0,8	0,59	1,5	2,5
Amount of lubricant in worm gear	[kg]	0,15	0,9	0,6	3,5
Mass moment of inertia J ³⁾ Ratio N type 1	[kg cm ²]	1,058	6,63	22,44	181,28
Mass moment of inertia J ³⁾ Ratio N type 2	[kg cm ²]	1,079	6,79	22,89	184,92
Mass moment of inertia J ³⁾ Ratio L type 1	[kg cm ²]	0,677	3,60	7,248	123,79
Mass moment of inertia J ³⁾ Ratio L type 2	[kg cm ²]	0,691	3,67	7,393	126,28

Dimension plans type 1 - chapter 3.8.1/type 2 - chapter 3.8.2

¹⁾ Also applies to Ku screw, see chapter 3.4.7

²⁾ Max. permitted values for type 1 and Tr screw.

Higher values are possible when using type 2 or Ku screw.

³⁾ Referring to 100 mm screw length

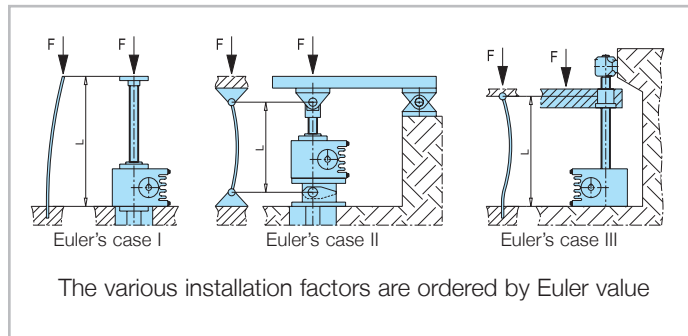
Screw jacks

3.4 Technical information

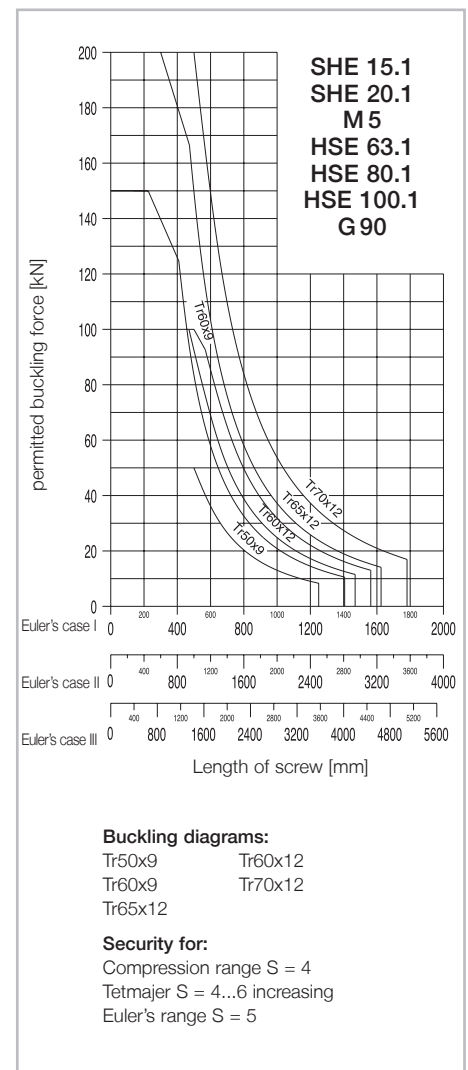
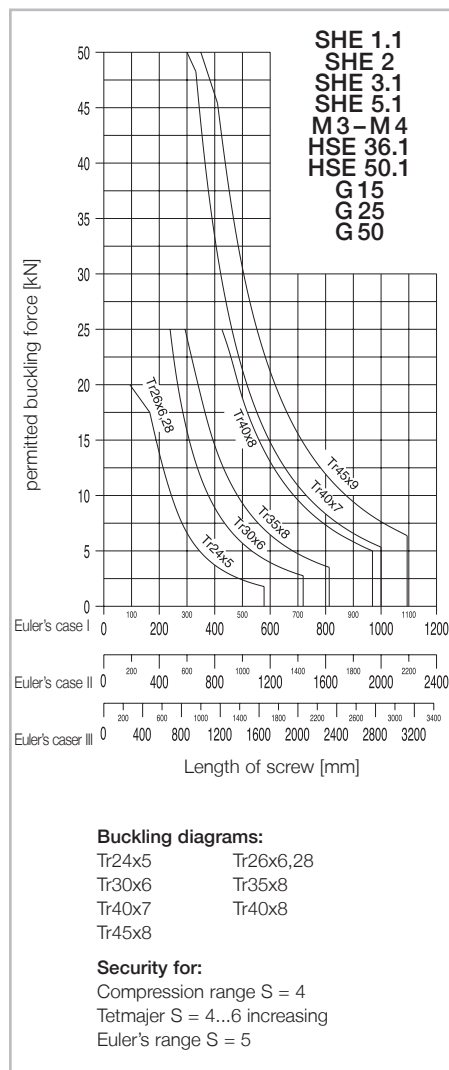
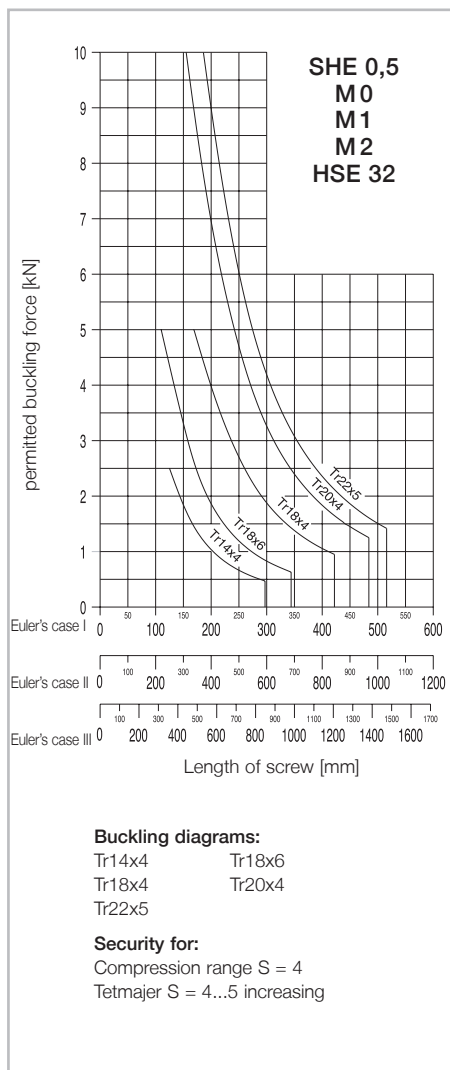
3.4.2 Permitted buckling force

Screw dimensioning of the screw jacks for compression force

The permitted buckling force for trapezoidal and ball screws can be verified using the following buckling diagrams.

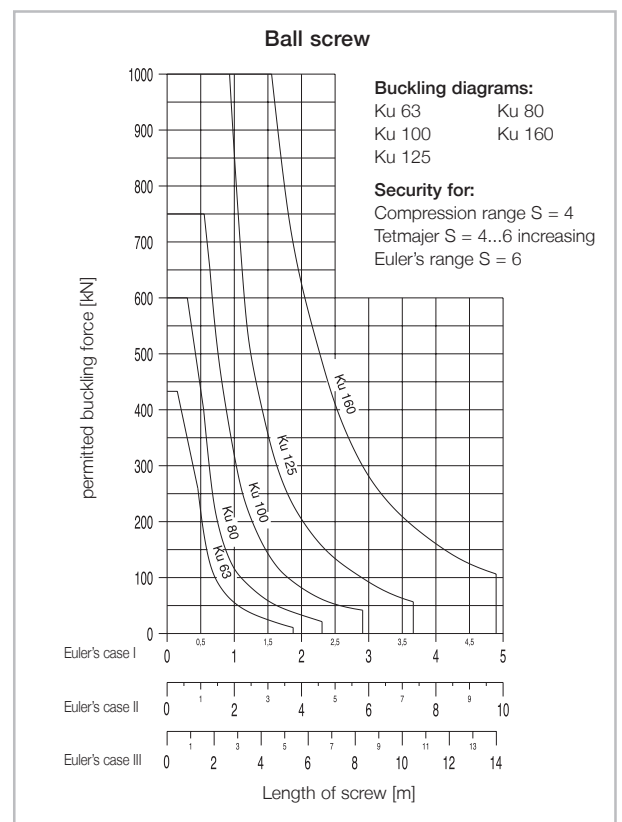
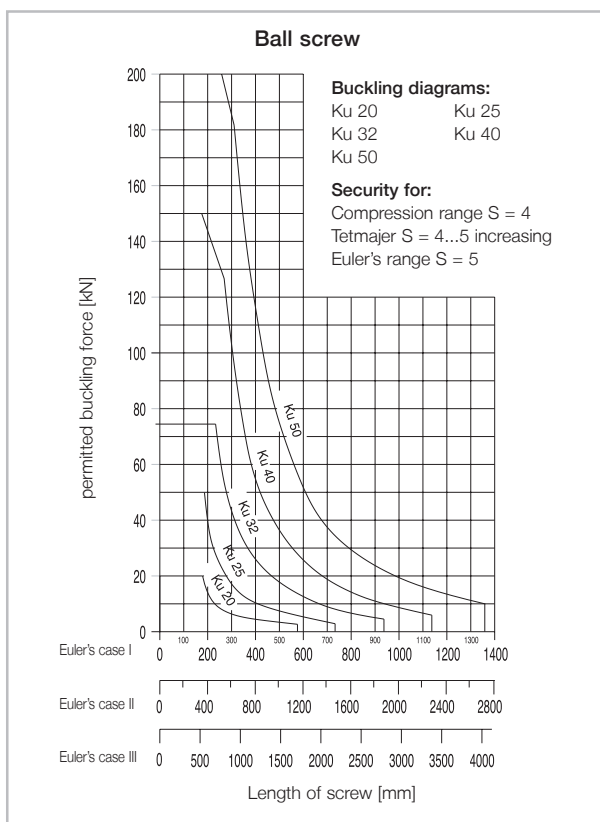
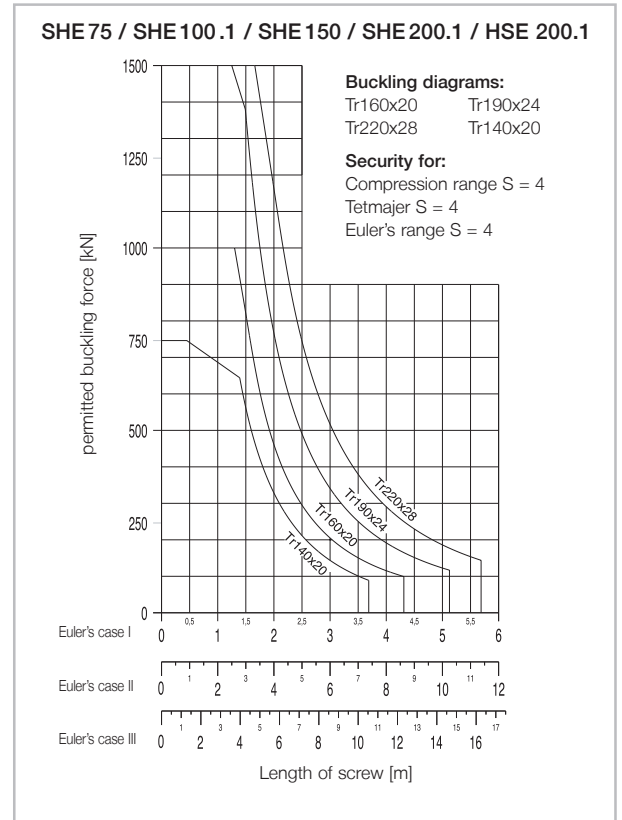
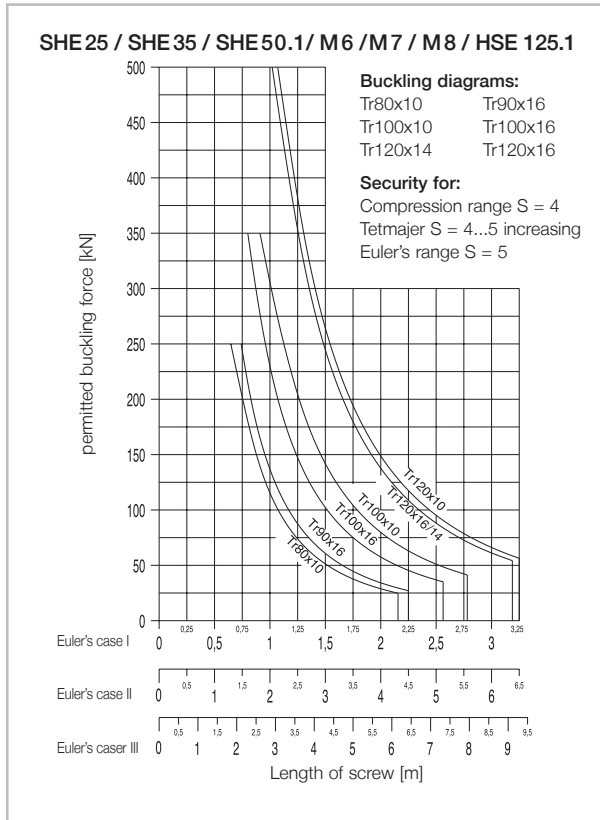


3



3.4 Technical information

3



Screw jacks

3.4 Technical information

3.4.3 Performance tables (screw jacks with Tr screw)

3.4.3.1 SHE range (Standard worm gear screw jack)

Rotary speed, power requirement and permitted lifting speed for ratio N and L with single-start, **lifting (type 1) trapezoidal screw**. All performance data is expressed in terms of dynamic lifting capacity. With duty ratio of < 10 %/h or configuration with rotating screw (type 2), the maximum permitted drive capacities can be increased. In this case, please consult our screw jack specialists.

SHE 0,5 screw Tr 18x6

n [1/min]	Lifting speed [m/min.]		F=5 [kN]				F=4 [kN]				F=3 [kN]				F=2,5 [kN]				F=2 [kN]				F=1,5 [kN]				F=1 [kN]			
			N		L		N		L		N		L		N		L		N		L		N		L		N		L	
			Nm	kW	Nm	kW	Nm	kW	Nm	kW	Nm	kW	Nm	kW	Nm	kW	Nm	kW	Nm	kW	Nm	kW	Nm	kW	Nm	kW	Nm	kW	Nm	kW
1500	0,90	0,450	1,54	0,24	0,99	0,16	1,23	0,19	0,80	0,13	0,92	0,15	0,60	0,10	0,77	0,12	0,50	0,1	0,62	0,1	0,40	0,1	0,46	0,1	0,30	0,1	0,31	0,1	0,20	0,1
1000	0,60	0,300	1,54	0,16	0,99	0,1	1,23	0,13	0,80	0,1	0,92	0,1	0,60	0,1	0,77	0,1	0,50	0,1	0,62	0,1	0,40	0,1	0,46	0,1	0,30	0,1	0,31	0,1	0,20	0,1
750	0,45	0,225	1,54	0,12	0,99	0,1	1,23	0,1	0,80	0,1	0,92	0,1	0,60	0,1	0,77	0,1	0,50	0,1	0,62	0,1	0,40	0,1	0,46	0,1	0,30	0,1	0,31	0,1	0,20	0,1
600	0,36	0,180	1,54	0,1	0,99	0,1	1,23	0,1	0,80	0,1	0,92	0,1	0,60	0,1	0,77	0,1	0,50	0,1	0,62	0,1	0,40	0,1	0,46	0,1	0,30	0,1	0,31	0,1	0,20	0,1
500	0,30	0,150	1,54	0,1	0,99	0,1	1,23	0,1	0,80	0,1	0,92	0,1	0,60	0,1	0,77	0,1	0,50	0,1	0,62	0,1	0,40	0,1	0,46	0,1	0,30	0,1	0,31	0,1	0,20	0,1
300	0,18	0,090	1,54	0,1	0,99	0,1	1,23	0,1	0,80	0,1	0,92	0,1	0,60	0,1	0,77	0,1	0,50	0,1	0,62	0,1	0,40	0,1	0,46	0,1	0,30	0,1	0,31	0,1	0,20	0,1
100	0,06	0,030	1,54	0,1	0,99	0,1	1,23	0,1	0,80	0,1	0,92	0,1	0,60	0,1	0,77	0,1	0,50	0,1	0,62	0,1	0,40	0,1	0,46	0,1	0,30	0,1	0,31	0,1	0,20	0,1
50	0,03	0,015	1,54	0,1	0,99	0,1	1,23	0,1	0,80	0,1	0,92	0,1	0,60	0,1	0,77	0,1	0,50	0,1	0,62	0,1	0,40	0,1	0,46	0,1	0,30	0,1	0,31	0,1	0,20	0,1

3

SHE 1.1 screw Tr 24x5

n [1/min]	Lifting speed [m/min.]		F=15 [kN]				F=12 [kN]				F=10 [kN]				F=8 [kN]				F=6 [kN]				F=4 [kN]				F=2 [kN]			
			N		L		N		L		N		L		N		L		N		L		N		L		N		L	
			Nm	kW	Nm	kW	Nm	kW	Nm	kW	Nm	kW	Nm	kW	Nm	kW	Nm	kW	Nm	kW	Nm	kW	Nm	kW	Nm	kW	Nm	kW	Nm	kW
1500	1,500	0,375	8,1	1,27	2,6	0,42	6,5	1,02	2,1	0,33	5,4	0,85	1,8	0,28	4,3	0,68	1,4	0,22	3,2	0,51	1,1	0,20	2,2	0,34	0,7	0,1	1,1	0,20	0,4	0,1
1000	1,000	0,250	8,1	0,85	2,6	0,28	6,5	0,68	2,1	0,22	5,4	0,56	1,8	0,20	4,3	0,45	1,4	0,20	3,2	0,34	1,1	0,1	2,2	0,23	0,7	0,1	1,1	0,1	0,4	0,1
750	0,750	0,188	8,1	0,64	2,6	0,21	6,5	0,51	2,1	0,20	5,4	0,42	1,8	0,20	4,3	0,34	1,4	0,1	3,2	0,25	1,1	0,1	2,2	0,20	0,7	0,1	1,1	0,1	0,4	0,1
600	0,600	0,150	8,1	0,51	2,6	0,20	6,5	0,41	2,1	0,20	5,4	0,34	1,8	0,1	4,3	0,27	1,4	0,1	3,2	0,20	1,1	0,1	2,2	0,20	0,7	0,1	1,1	0,1	0,4	0,1
500	0,500	0,125	8,1	0,42	2,6	0,20	6,5	0,34	2,1	0,1	5,4	0,28	1,8	0,1	4,3	0,23	1,4	0,1	3,2	0,20	1,1	0,1	2,2	0,1	0,7	0,1	1,1	0,1	0,4	0,1
300	0,300	0,075	8,1	0,25	2,6	0,1	6,5	0,20	2,1	0,1	5,4	0,20	1,8	0,1	4,3	0,20	1,4	0,1	3,2	0,1	1,1	0,1	2,2	0,1	0,7	0,1	1,1	0,1	0,4	0,1
100	0,100	0,025	8,1	0,1	2,6	0,1	6,5	0,1	2,1	0,1	5,4	0,1	1,8	0,1	4,3	0,1	1,4	0,1	3,2	0,1	1,1	0,1	2,2	0,1	0,7	0,1	1,1	0,1	0,4	0,1
50	0,050	0,013	8,1	0,1	2,6	0,1	6,5	0,1	2,1	0,1	5,4	0,1	1,8	0,1	4,3	0,1	1,4	0,1	3,2	0,1	1,1	0,1	2,2	0,1	0,7	0,1	1,1	0,1	0,4	0,1

SHE 2 screw Tr 26x6.28

n [1/min]	Lifting speed [m/min.]		F=20 [kN]				F=15 [kN]				F=10 [kN]				F=8 [kN]				F=6 [kN]				F=4 [kN]				F=2 [kN]			
			N		L		N		L		N		L		N		L		N		L		N		L		N		L	
			Nm	kW	Nm	kW	Nm	kW	Nm	kW	Nm	kW	Nm	kW	Nm	kW	Nm	kW	Nm	kW	Nm	kW	Nm	kW	Nm	kW	Nm	kW	Nm	kW
1500	1,57	0,393	10,75	1,7	4,63	0,7	8,06	1,3	3,47	0,5	5,37	0,8	2,31	0,4	4,30	0,7	1,85	0,3	3,22	0,5	1,39	0,2	2,15	0,3	0,93	0,1	1,07	0,2	0,46	0,1
1000	1,05	0,262	10,75	1,1	4,63	0,5	8,06	0,8	3,47	0,4	5,37	0,6	2,31	0,2	4,30	0,5	1,85	0,2	3,22	0,3	1,39	0,1	2,15	0,2	0,93	0,1	1,07	0,1	0,46	0,1
750	0,79	0,196	10,75	0,8	4,63	0,4	8,06	0,6	3,47	0,3	5,37	0,4	2,31	0,2	4,30	0,3	1,85	0,1	3,22	0,3	1,39	0,1	2,15	0,2	0,93	0,1	1,07	0,1	0,46	0,1
600	0,63	0,157	10,75	0,7	4,63	0,3	8,06	0,5	3,47	0,2	5,37	0,3	2,31	0,1	4,30	0,3	1,85	0,1	3,22	0,2	1,39	0,1	2,15	0,1	0,93	0,1	1,07	0,1	0,46	0,1
500	0,52	0,131	10,75	0,6	4,63	0,2	8,06	0,4	3,47	0,2	5,37	0,3	2,31	0,1	4,30	0,2	1,85	0,1	3,22	0,2	1,39	0,1	2,15	0,1	0,93	0,1	1,07	0,1	0,46	0,1
300	0,31	0,079	10,75	0,3	4,63	0,1	8,06	0,3	3,47	0,1	5,37	0,2	2,31	0,1	4,30	0,1	1,85	0,1	3,22	0,1	1,39	0,1	2,15	0,1	0,93	0,1	1,07	0,1	0,46	0,1
100	0,10	0,026	10,75	0,1	4,63	0,1	8,06	0,1	3,47	0,1	5,37	0,1	2,31	0,1	4,30	0,1	1,85	0,1	3,22	0,1	1,39	0,1	2,15	0,1	0,93	0,1	1,07	0,1	0,46	0,1
50	0,05	0,013	10,75	0,1	4,63	0,1	8,06	0,1	3,47	0,1	5,37	0,1	2,31	0,1	4,30	0,1	1,85	0,1	3,22	0,1	1,39	0,1	2,15	0,1	0,93	0,1	1,07	0,1	0,46	0,1

SHE 3.1 screw Tr 30x6

n [1/min]	Lifting speed [m/min.]		F=30 [kN]				F=25 [kN]				F=20 [kN]				F=15 [kN]				F=10 [kN]				F=5 [kN]				F=2,5 [kN]			
			N		L		N		L		N		L		N		L		N		L		N		L		N		L	
			Nm	kW	Nm	kW	Nm	kW	Nm	kW	Nm	kW	Nm	kW	Nm	kW	Nm	kW	Nm	kW	Nm	kW	Nm	kW	Nm	kW	Nm	kW	Nm	kW
1500	1,50	0,375	17,6	2,76	6,3	1,00	14,7	2,31	5,2	0,82	11,8	1,85	4,2	0,66	8,8	1,39	3,1	0,49	5,9	0,93	2,1	0,33	2,9	0,46	1,0	0,2	1,5	0,2	0,5	0,1
1000	1,00	0,250	17,6	1,84	6,3	0,66	14,7	1,54	5,2	0,55	11,8	1,23	4,2	0,44	8,8	0,93	3,1	0,33	5,9	0,62	2,1	0,22	2,9	0,31	1,0	0,1	1,5	0,2	0,5	0,1
750	0,75	0,188	17,6	1,38	6,3	0,50	14,7	1,16	5,2	0,41	11,8	0,93	4,2	0,33	8,8	0,69	3,1	0,25	5,9	0,46	2,1	0,16	2,9	0,23	1,0	0,1	1,5	0,1	0,5	0,1
600	0,60	0,150	17,6	1,10	6,3	0,40	14,7	0,93	5,2	0,33	11,8	0,74	4,2	0,26	8,8	0,56	3,1	0,20	5,9	0,37	2,1	0,13	2,9	0,19	1,0	0,1	1,5	0,1	0,5	0,1
500	0,50	0,125	17,6	0,92	6,3	0,33	14,7	0,77	5,2	0,27	11,8	0,62	4,2	0,22	8,8	0,46	3,1	0,16	5,9	0,31	2,1	0,1	2,9	0,15	1,0	0,1	1,5	0,1	0,5	0,1
300	0,30	0,075	17,6	0,55	6,3	0,20	14,7	0,46	5,2	0,16	11,8	0,37	4,2	0,13	8,8	0,28	3,1	0,10	5,9	0,19	2,1	0,1	2,9	0,10	1,0	0,1	1,5	0,1	0,5	0,1
100	0,10	0,025	17,6	0,20	6,3	0,10	14,7	0,15	5,2	0,10	11,8	0,12	4,2	0,1	8,8	0,10	3,1	0,1	5,9	0,10	2,1	0,1	2,9	0,1	1,0	0,1	1,5	0,1	0,5	0,1
50	0,05	0,013	17,6	0,10	6,3	0,10	14,7	0,10	5,2	0,1	11,8	0,1	4,2	0,1	8,8	0,1	3,1	0,1	5,9	0,1	2,1	0,1	2,9	0,1	1,0	0,1	1,5	0,1	0,5	0,1

20 % ED / 1 hr or 30 % ED / 10 min. and ambient temperature 20 °C
 static only (dynamic not permitted)
 10 % ED / 1 hr and ambient temperature 20 °C

Screw jacks

3.4 Technical information

SHE 5.1 screw Tr 40x7

n [1/min]	Lifting speed [m/min.]		F=50 [kN]				F=40 [kN]				F=30 [kN]				F=20 [kN]				F=10 [kN]				F=5 [kN]				F=3 [kN]			
	N	L	Nm	kW	Nm	kW	Nm	kW	Nm	kW	Nm	kW	Nm	kW	Nm	kW	Nm	kW	Nm	kW	Nm	kW	Nm	kW	Nm	kW	Nm	kW	Nm	kW
1500	1,75	0,438	38,7	6,08	14,5	2,28	30,9	4,86	11,6	1,82	23,2	3,65	8,7	1,37	15,5	2,43	5,8	0,91	7,7	1,22	2,9	0,5	3,9	0,6	1,5	0,2	1,9	0,3	0,7	0,2
1000	1,17	0,292	38,7	4,05	14,5	1,52	30,9	3,24	11,6	1,22	23,2	2,43	8,7	0,91	15,5	1,62	5,8	0,61	7,7	0,81	2,9	0,3	3,9	0,4	1,5	0,2	1,9	0,2	0,7	0,1
750	0,88	0,219	38,7	3,04	14,5	1,14	30,9	2,43	11,6	0,91	23,2	1,82	8,7	0,68	15,5	1,22	5,8	0,46	7,7	0,61	2,9	0,2	3,9	0,3	1,5	0,1	1,9	0,2	0,7	0,1
600	0,70	0,175	38,7	2,43	14,5	0,91	30,9	1,94	11,6	0,73	23,2	1,46	8,7	0,55	15,5	0,97	5,8	0,36	7,7	0,49	2,9	0,2	3,9	0,2	1,5	0,1	1,9	0,1	0,7	0,1
500	0,58	0,146	38,7	2,03	14,5	0,76	30,9	1,62	11,6	0,61	23,2	1,22	8,7	0,46	15,5	0,81	5,8	0,30	7,7	0,41	2,9	0,2	3,9	0,2	1,5	0,1	1,9	0,1	0,7	0,1
300	0,35	0,088	38,7	1,22	14,5	0,46	30,9	0,97	11,6	0,36	23,2	0,73	8,7	0,27	15,5	0,49	5,8	0,18	7,7	0,24	2,9	0,1	3,9	0,1	1,5	0,1	1,9	0,1	0,7	0,1
100	0,12	0,029	38,7	0,41	14,5	0,15	30,9	0,32	11,6	0,12	23,2	0,24	8,7	0,10	15,5	0,16	5,8	0,10	7,7	0,10	2,9	0,1	3,9	0,1	1,5	0,1	1,9	0,1	0,7	0,1
50	0,06	0,015	38,7	0,20	14,5	0,10	30,9	0,16	11,6	0,1	23,2	0,1	8,7	0,1	15,5	0,1	5,8	0,1	7,7	0,1	2,9	0,1	3,9	0,1	1,5	0,1	1,9	0,1	0,7	0,1

SHE 15.1 screw Tr 60x12

n [1/min]	Lifting speed [m/min.]		F=150 [kN]				F=100 [kN]				F=80 [kN]				F=60 [kN]				F=40 [kN]				F=20 [kN]				F=10 [kN]			
	N	L	Nm	kW	Nm	kW	Nm	kW	Nm	kW	Nm	kW	Nm	kW	Nm	kW	Nm	kW	Nm	kW	Nm	kW	Nm	kW	Nm	kW	Nm	kW	Nm	kW
1500	2,35	0,750	138,4	21,7	70,2	11,0	92,3	14,5	46,8	7,4	73,8	11,6	37,5	5,9	55,4	8,7	28,1	4,4	36,9	5,8	18,7	2,9	18,5	2,9	9,4	1,5	9,2	1,4	4,7	0,4
1000	1,57	0,500	138,4	14,5	70,2	7,4	92,3	9,7	46,8	4,9	73,8	7,7	37,5	3,9	55,4	5,8	28,1	2,9	36,9	3,9	18,7	2,0	18,5	1,9	9,4	1,0	9,2	1,0	4,7	0,2
750	1,17	0,375	138,4	10,9	70,2	5,5	92,3	7,2	46,8	3,7	73,8	5,8	37,5	2,9	55,4	4,3	28,1	2,2	36,9	2,9	18,7	1,5	18,5	1,4	9,4	0,7	9,2	0,7	4,7	0,2
600	0,94	0,300	138,4	8,7	70,2	4,4	92,3	5,8	46,8	2,9	73,8	4,6	37,5	2,4	55,4	3,5	28,1	1,8	36,9	2,3	18,7	1,2	18,5	1,2	9,4	0,6	9,2	0,6	4,7	0,1
500	0,78	0,250	138,4	7,2	70,2	3,7	92,3	4,8	46,8	2,5	73,8	3,9	37,5	2,0	55,4	2,9	28,1	1,5	36,9	1,9	18,7	1,0	18,5	1,0	9,4	0,5	9,2	0,5	4,7	0,1
300	0,47	0,150	138,4	4,3	70,2	2,2	92,3	2,9	46,8	1,5	73,8	2,3	37,5	1,2	55,4	1,7	28,1	0,9	36,9	1,2	18,7	0,6	18,5	0,6	9,4	0,3	9,2	0,3	4,7	0,1
100	0,16	0,050	138,4	1,4	70,2	0,7	92,3	1,0	46,8	0,5	73,8	0,8	37,5	0,4	55,4	0,6	28,1	0,3	36,9	0,4	18,7	0,2	18,5	0,2	9,4	0,1	9,2	0,1	4,7	0,1
50	0,08	0,025	138,4	0,7	70,2	0,4	92,3	0,5	46,8	0,2	73,8	0,4	37,5	0,2	55,4	0,3	28,1	0,1	36,9	0,2	18,7	0,1	18,5	0,1	9,4	0,1	9,2	0,1	4,7	0,1

SHE 20.1 screw Tr 70x12

n [1/min]	Lifting speed [m/min.]		F=200 [kN]				F=160 [kN]				F=120 [kN]				F=100 [kN]				F=75 [kN]				F=50 [kN]				F=25 [kN]			
	N	L	Nm	kW	Nm	kW	Nm	kW	Nm	kW	Nm	kW	Nm	kW	Nm	kW	Nm	kW	Nm	kW	Nm	kW	Nm	kW	Nm	kW	Nm	kW	Nm	kW
1500	2,25	0,750	199,0	31,3	93,6	14,7	159,2	25,0	74,9	11,8	119,4	18,8	56,2	8,8	99,5	15,6	46,8	7,4	74,6	11,7	35,1	5,5	49,7	7,8	23,4	3,7	24,9	3,9	11,7	1,8
1000	1,50	0,500	199,0	20,8	93,6	9,8	159,2	16,7	74,9	7,8	119,4	12,5	56,2	5,9	99,5	10,4	46,8	4,9	74,6	7,8	35,1	3,7	49,7	5,2	23,4	2,5	24,9	2,6	11,7	1,2
750	1,13	0,375	199,0	15,6	93,6	7,4	159,2	12,5	74,9	5,9	119,4	9,4	56,2	4,4	99,5	7,8	46,8	3,7	74,6	5,9	35,1	2,8	49,7	3,9	23,4	1,8	24,9	2,0	11,7	0,9
600	0,90	0,300	199,0	12,5	93,6	5,5	159,2	10,0	74,9	4,7	119,4	7,5	56,2	3,5	99,5	6,3	46,8	2,9	74,6	4,7	35,1	2,2	49,7	3,1	23,4	1,5	24,9	1,6	11,7	0,7
500	0,75	0,250	199,0	10,4	93,6	4,9	159,2	8,3	74,9	3,9	119,4	6,3	56,2	2,9	99,5	5,2	46,8	2,5	74,6	3,9	35,1	1,8	49,7	2,6	23,4	1,2	24,9	1,3	11,7	0,6
300	0,45	0,150	199,0	6,3	93,6	2,9	159,2	5,0	74,9	2,4	119,4	3,8	56,2	1,8	99,5	3,1	46,8	1,5	74,6	2,3	35,1	1,1	49,7	1,6	23,4	0,7	24,9	0,8	11,7	0,4
100	0,15	0,050	199,0	2,1	93,6	1,0	159,2	1,7	74,9	0,8	119,4	1,3	56,2	0,6	99,5	1,0	46,8	0,5	74,6	0,8	35,1	0,4	49,7	0,5	23,4	0,2	24,9	0,3	11,7	0,1
50	0,08	0,025	199,0	1,0	93,6	0,5	159,2	0,8	74,9	0,4	119,4	0,6	56,2	0,3	99,5	0,5	46,8	0,2	74,6	0,4	35,1	0,2	49,7	0,3	23,4	0,1	24,9	0,1	11,7	0,1

SHE 25 screw Tr 90x16

n [1/min]	Lifting speed [m/min.]		F=250 [kN]				F=200 [kN]				F=160 [kN]				F=120 [kN]				F=100 [kN]				F=75 [kN]				F=50 [kN]			
	N	L	Nm	kW	Nm	kW	Nm	kW	Nm	kW	Nm	kW	Nm	kW	Nm	kW	Nm	kW	Nm	kW	Nm	kW	Nm	kW	Nm	kW	Nm	kW	Nm	kW
1000	1,50	0,500	271,3	28,4	132,6	13,9	217,0	22,7	106,1	11,1	173,6	18,2	84,9	8,9	130,2	13,6	63,7	6,7	108,5	11,4	53,1	5,6	81,4	8,5	39,8	4,2	54,3	5,7	26,5	2,8
750	1,13	0,375	271,3	21,3	132,6	10,4	217,0	17,0	106,1	8,3	173,6	13,6	84,9	6,7	130,2	10,2	63,7	5,0	108,5	8,5	53,1	4,2	81,4	6,4	39,8	3,1	54,3	4,3	26,5	2,1
600	0,90	0,300	271,3	17,0	132,6	8,3	217,0	13,6	106,1	6,7	173,6	10,9	84,9	5,3	130,2	8,2	63,7	4,0	108,5	6,8	53,1	3,3	81,4	5,1	39,8	2,5	54,3	3,4	26,5	1,7
500	0,75	0,250	271,3	14,2	132,6	6,9	217,0	11,4	106,1	5,6	173,6	9,1	84,9	4,4	130,2	6,8	63,7	3,3	108,5	5,7	53,1	2,8	81,4	4,3	39,8	2,1	54,3	2,8	26,5	1,4
300	0,45	0,150	271,3	8,5	132,6	4,2	217,0	6,8	106,1	3,3	173,6	5,5	84,9	2,7	130,2	4,1	63,7	2,0	108,5	3,4	53,1	1,7	81,4	2,6	39,8	1,3	54,3	1,7	26,5	0,8
100	0,15	0,050	271,3	2,8	132,6	1,4	217,0	2,3	106,1	1,1	173,6	1,8	84,9	0,9	130,2	1,4	63,7	0,7	108,5	1,1	53,1	0,6	81,4	0,9	39,8	0,4	54,3	0,6	26,5	0,3
50	0,08	0,025	271,3	1,4	132,6	0,7	217,0	1,1	106,1	0,6	173,6	0,9	84,9	0,4	130,2	0,7	63,7	0,3	108,5	0,6	53,1	0,3	81,4	0,4	39,8	0,2	54,3	0,3	26,5	0,1

SHE 35 screw Tr 100x16

n [1/min]	Lifting speed [m/min.]		F=350 [kN]*				F=300 [kN]				F=250 [kN]				F=200 [kN]				F=150 [kN]				F=100 [kN]				F=50 [kN]			
	N	L	Nm	kW	Nm	kW	Nm	kW	Nm	kW	Nm	kW	Nm	kW	Nm	kW	Nm	kW	Nm	kW	Nm	kW	Nm	kW	Nm	kW	Nm	kW	Nm	kW
1000	1,50	0,500	397,9	41,7	199,0	20,8	341,1	35,7	170,5	17,9	284,2	29,8	142,1	14,9	227,4	23,8	113,7	11,9	170,5	17,9	85,3	8,9	113,7	11,9	56,8	6,0	56,8	6,0	28,4	3,0
750	1,13	0,375	397,9	31,3	199,0	15,6	341,1	26,8	170,5																					

Screw jacks

3.4 Technical information

SHE 50.1 screw Tr 120x16

n [1/min]	Lifting speed [m/min.]		F=500 [kN]				F=400 [kN]				F=300 [kN]				F=200 [kN]				F=150 [kN]				F=100 [kN]				F=50 [kN]			
			N	L	Nm	kW	Nm	kW	N	L	Nm	kW	N	L	Nm	kW	N	L	Nm	kW	N	L	Nm	kW	N	L	Nm	kW	N	L
1000	1,500	0,500	796	84	398	42	637	67	318	34	478	50	239	25	318	34	159	17	239	25	119	13	159	17	80	8,4	80	8,4	40	4,2
750	1,125	0,375	796	63	398	32	637	50	318	25	478	38	239	19	318	25	159	13	239	19	119	9,4	159	13	80	6,3	80	6,3	40	2,1
500	0,750	0,250	796	42	398	21	637	34	318	17	478	25	239	13	318	17	159	8,4	239	13	119	6,3	159	8,4	80	4,2	80	4,2	40	2,1
400	0,600	0,200	796	34	398	17	637	27	318	14	478	20	239	10	318	14	159	6,7	239	10	119	5	159	6,7	80	3,4	80	3,4	40	1,7
300	0,450	0,150	796	25	398	13	637	20	318	10	478	15	239	7,5	318	10	159	5	239	7,5	119	3,8	159	5	80	2,5	80	2,5	40	1,3
200	0,300	0,100	796	17	398	8,4	637	14	318	6,7	478	10	239	5	318	6,7	159	3,4	239	5	119	2,5	159	3,4	80	1,7	80	1,7	40	0,9
100	0,150	0,050	796	8,4	398	4,2	637	6,7	318	3,4	478	5	239	2,5	318	3,4	159	1,7	239	2,5	119	1,3	159	1,7	80	0,9	80	0,9	40	0,5
50	0,075	0,025	796	4,2	398	2,1	637	3,4	318	1,7	478	2,5	239	1,3	318	1,7	159	0,9	239	1,3	119	0,7	159	0,9	80	0,5	80	0,5	40	0,5

SHE 75 screw Tr 140x20

n [1/min]	Lifting speed [m/min.]		F=750 [kN]				F=500 [kN]				F=400 [kN]				F=300 [kN]				F=200 [kN]				F=100 [kN]				F=50 [kN]			
			N	L	Nm	kW	Nm	kW	N	L	Nm	kW	N	L	Nm	kW	N	L	Nm	kW	N	L	Nm	kW	N	L	Nm	kW	N	L
1000	1,667	0,556	1105	116	553	58	737	77	368	39	590	62	295	31	442	46	221	23	295	31	147	15	147	15	74	7,7	74	7,7	37	3,9
750	1,250	0,417	1105	87	553	43	737	58	368	29	590	46	295	23	442	35	221	17	295	23	147	12	147	12	74	5,8	74	5,8	37	2,9
500	0,833	0,278	1105	58	553	29	737	39	368	19	590	31	295	15	442	23	221	12	295	15	147	7,7	147	7,7	74	3,9	74	3,9	37	1,9
400	0,667	0,222	1105	46	553	23	737	31	368	15	590	25	295	12	442	19	221	9,3	295	12	147	6,2	147	6,2	74	3,1	74	3,1	37	1,5
300	0,500	0,167	1105	35	553	17	737	23	368	12	590	19	295	9,3	442	14	221	6,9	295	9,3	147	4,6	147	4,6	74	2,3	74	2,3	37	1,2
200	0,333	0,111	1105	23	553	12	737	15	368	7,7	590	12	295	6,2	442	9,3	221	4,6	295	6,2	147	3,1	147	3,1	74	1,5	74	1,5	37	0,8
100	0,167	0,056	1105	12	553	5,8	737	7,7	368	3,9	590	6,2	295	3,1	442	4,6	221	2,3	295	3,1	147	1,5	147	1,5	74	0,8	74	0,8	37	0,4
50	0,083	0,028	1105	5,8	553	2,9	737	3,9	368	1,9	590	3,1	295	1,5	442	2,3	221	1,2	295	1,5	147	0,8	147	0,8	74	0,4	74	0,4	37	0,2

SHE 100.1 screw Tr 160x20

n [1/min]	Lifting speed [m/min.]		F=1000 [kN]				F=800 [kN]				F=600 [kN]				F=400 [kN]				F=200 [kN]				F=100 [kN]				F=50 [kN]			
			N	L	Nm	kW	Nm	kW	N	L	Nm	kW	N	L	Nm	kW	N	L	Nm	kW	N	L	Nm	kW	N	L	Nm	kW	N	L
1000	1,667	0,556	1770	185	983	103	1420	148	786	83	1060	112	590	62	707	74	393	42	354	37	197	21	177	19	99	11	88	9,3	49	5,2
750	1,250	0,417	1770	139	983	78	1420	112	786	62	1060	84	590	47	707	56	393	31	354	28	197	16	177	14	99	7,8	88	7	49	3,9
500	0,833	0,278	1770	93	983	52	1420	74	786	42	1060	56	590	31	707	37	393	21	354	19	197	11	177	9,3	99	5,2	88	4,6	49	2,6
400	0,667	0,222	1770	74	983	42	1420	60	786	33	1060	45	590	25	707	30	393	17	354	15	197	8,3	177	7,5	99	4,2	88	3,7	49	2,1
300	0,500	0,167	1770	56	983	31	1420	45	786	25	1060	34	590	19	707	23	393	13	354	11	197	6,2	177	5,6	99	3,1	88	2,8	49	1,6
200	0,333	0,111	1770	37	983	21	1420	30	786	17	1060	23	590	13	707	15	393	8,3	354	7,4	197	4,2	177	3,7	99	2,1	88	1,9	49	1,1
100	0,167	0,056	1770	19	983	11	1420	15	786	8,3	1060	11	590	6,2	707	7,4	393	4,2	354	3,7	197	2,1	177	1,9	99	1,1	88	1	49	0,5
50	0,083	0,028	1770	9,3	983	5,2	1420	7,4	786	4,2	1060	5,6	590	3,1	707	3,7	393	2,1	354	1,9	197	1,1	177	1	99	0,6	88	0,5	49	0,5

SHE 150 screw Tr 190x24

n [1/min]	Lifting speed [m/min.]		F=1500 [kN]				F=1250 [kN]				F=1000 [kN]				F=750 [kN]				F=500 [kN]				F=250 [kN]				F=100 [kN]			
			N	L	Nm	kW	Nm	kW	N	L	Nm	kW	N	L	Nm	kW	N	L	Nm	kW	N	L	Nm	kW	N	L	Nm	kW	N	L
1000	1,263		2010	211			1680	175			1340	140			1010	105			670	70			335	35			134	14		
750	0,947		2010	158			1680	132			1340	105			1010	79			670	53			335	26			134	11		
500	0,632		2010	105			1680	88			1340	70			1010	53			670	35			335	18			134	7		
400	0,505		2010	84			1680	70			1340	56			1010	42			670	28			335	14			134	5,6		
300	0,379		2010	63			1680	53			1340	42			1010	32			670	21			335	11			134	4,2		
200	0,253		2010	42			1680	35			1340	28			1010	21			670	14			335	7			134	2,8		
100	0,126		2010	21			1680	18			1340	14			1010	11			670	7			335	3,5			134	1,4		
50	0,063		2010	11			1680	8,8			1340	7			1010	5,3			670	3,5			335	1,8			134	0,7		

SHE 200.1 screw Tr 220x28

n [1/min]	Lifting speed [m/min.]		F=2000 [kN]				F=1500 [kN]				F=1000 [kN]				F=750 [kN]				F=500 [kN]				F=250 [kN]				F=100 [kN]				
			N	L	Nm	kW	Nm	kW	N	L	Nm	kW	N	L	Nm	kW	N	L	Nm	kW	N	L	Nm	kW	N	L	Nm	kW	N	L	Nm
1000																															
750																															
600																															
500																															
300																															
100																															
50																															

□ 20 % ED / 1 hr or 30 % ED / 10 min. and ambient temperature 20 °C

□ static only (dynamic not permitted)

□ 10 % ED / 1 hr and ambient temperature 20 °C

Screw jacks

3.4 Technical information

M 4 screw 40x7

n [1/min]	Lifting speed [m/min.]		F=50 [kN]				F=40 [kN]				F=30 [kN]				F=20 [kN]				F=10 [kN]				F=5 [kN]				F=2,5 [kN]				
	N	L	Nm	kW	Nm	kW	Nm	kW	Nm	kW	Nm	kW	Nm	kW	Nm	kW	Nm	kW	Nm	kW	Nm	kW	Nm	kW	Nm	kW	Nm	kW	Nm	kW	Nm
1500	1,50	0,375	31,8	5,0	11,1	1,7	25,5	4,0	8,8	1,4	19,1	3,0	6,6	1,0	12,7	2,0	4,4	0,7	6,4	1,0	2,2	0,3	3,2	0,5	1,1	0,2	1,6	0,3	0,6	0,1	
1000	1,00	0,250	31,8	3,3	11,1	1,2	25,5	2,7	8,8	0,9	19,1	2,0	6,6	0,7	12,7	1,3	4,4	0,5	6,4	0,7	2,2	0,2	3,2	0,3	1,1	0,1	1,6	0,2	0,6	0,1	
750	0,75	0,188	31,8	2,5	11,1	0,9	25,5	2,0	8,8	0,7	19,1	1,5	6,6	0,5	12,7	1,0	4,4	0,35	6,4	0,5	2,2	0,2	3,2	0,3	1,1	0,1	1,6	0,1	0,6	0,1	
600	0,60	0,150	31,8	2,0	11,1	0,7	25,5	1,6	8,8	0,6	19,1	1,2	6,6	0,4	12,7	0,8	4,4	0,3	6,4	0,4	2,2	0,1	3,2	0,2	1,1	0,1	1,6	0,1	0,6	0,1	
500	0,50	0,125	31,8	1,7	11,1	0,6	25,5	1,3	8,8	0,5	19,1	1,0	6,6	0,3	12,7	0,7	4,4	0,2	6,4	0,3	2,2	0,1	3,2	0,2	1,1	0,1	1,6	0,1	0,6	0,1	
300	0,30	0,075	31,8	1,0	11,1	0,3	25,5	0,8	8,8	0,3	19,1	0,6	6,6	0,2	12,7	0,4	4,4	0,1	6,4	0,2	2,2	0,1	3,2	0,1	1,1	0,1	1,6	0,1	0,6	0,1	
100	0,10	0,025	31,8	0,3	11,1	0,1	25,5	0,3	8,8	0,1	19,1	0,2	6,6	0,1	12,7	0,1	4,4	0,1	6,4	0,1	2,2	0,1	3,2	0,1	1,1	0,1	1,6	0,1	0,6	0,1	
50	0,05	0,013	31,8	0,2	11,1	0,1	25,5	0,1	8,8	0,1	19,1	0,1	6,6	0,1	12,7	0,1	4,4	0,1	6,4	0,1	2,2	0,1	3,2	0,1	1,1	0,1	1,6	0,1	0,6	0,1	

M 5 screw Tr 60x9

n [1/min]	Lifting speed [m/min.]		F=150 [kN]				F=100 [kN]				F=80 [kN]				F=60 [kN]				F=40 [kN]				F=20 [kN]				F=10 [kN]				
	N	L	Nm	kW	Nm	kW	Nm	kW	Nm	kW	Nm	kW	Nm	kW	Nm	kW	Nm	kW	Nm	kW	Nm	kW	Nm	kW	Nm	kW	Nm	kW	Nm	kW	Nm
1500	1,50	0,375	125,7	19,7	42,6	6,7	83,8	13,2	28,4	4,5	67,0	10,5	22,7	3,6	50,3	7,9	17,1	2,7	33,5	5,3	11,4	1,8	16,8	2,6	5,7	0,9	8,4	1,3	2,8	0,4	
1000	1,00	0,250	125,7	13,2	42,6	4,5	83,8	8,8	28,4	3,0	67,0	7,0	22,7	2,4	50,3	5,3	17,1	1,8	33,5	3,5	11,4	1,2	16,8	1,8	5,7	0,6	8,4	0,9	2,8	0,3	
750	0,75	0,188	125,7	9,9	42,6	3,3	83,8	6,6	28,4	2,2	67,0	5,3	22,7	1,8	50,3	3,9	17,1	1,3	33,5	2,6	11,4	0,9	16,8	1,3	5,7	0,4	8,4	0,7	2,8	0,2	
600	0,60	0,150	125,7	7,9	42,6	2,7	83,8	5,3	28,4	1,8	67,0	4,2	22,7	1,4	50,3	3,2	17,1	1,1	33,5	2,1	11,4	0,7	16,8	1,1	5,7	0,4	8,4	0,5	2,8	0,2	
500	0,50	0,125	125,7	6,6	42,6	2,2	83,8	4,4	28,4	1,5	67,0	3,5	22,7	1,2	50,3	2,6	17,1	0,9	33,5	1,8	11,4	0,6	16,8	0,9	5,7	0,3	8,4	0,4	2,8	0,1	
300	0,30	0,075	125,7	3,9	42,6	1,3	83,8	2,6	28,4	0,9	67,0	2,1	22,7	0,7	50,3	1,6	17,1	0,5	33,5	1,1	11,4	0,4	16,8	0,5	5,7	0,2	8,4	0,3	2,8	0,1	
100	0,10	0,025	125,7	1,3	42,6	0,4	83,8	0,9	28,4	0,3	67,0	0,7	22,7	0,2	50,3	0,5	17,1	0,2	33,5	0,4	11,4	0,1	16,8	0,2	5,7	0,1	8,4	0,1	2,8	0,1	
50	0,05	0,013	125,7	0,7	42,6	0,2	83,8	0,4	28,4	0,1	67,0	0,4	22,7	0,1	50,3	0,3	17,1	0,1	33,5	0,2	11,4	0,1	16,8	0,1	5,7	0,1	8,4	0,1	2,8	0,1	



M 6 screw Tr 80x10

n [1/min]	Lifting speed [m/min.]		F=250 [kN]				F=200 [kN]				F=150 [kN]				F=100 [kN]				F=80 [kN]				F=60 [kN]				F=40 [kN]				
	N	L	Nm	kW	Nm	kW	Nm	kW	Nm	kW	Nm	kW	Nm	kW	Nm	kW	Nm	kW	Nm	kW	Nm	kW	Nm	kW	Nm	kW	Nm	kW	Nm	kW	Nm
1500	1,50	0,375	209,4	32,9	71,1	11,2	167,5	26,3	56,8	8,9	125,7	19,7	42,6	6,7	83,8	13,2	28,4	4,5	67,0	10,5	22,7	3,6	50,3	7,9	17,1	2,7	33,5	5,3	11,4	1,8	
1000	1,00	0,250	209,4	21,9	71,1	7,4	167,5	17,5	56,8	6,0	125,7	13,2	42,6	4,5	83,8	8,8	28,4	3,0	67,0	7,0	22,7	2,4	50,3	5,3	17,1	1,8	33,5	3,5	11,4	1,2	
750	0,75	0,188	209,4	16,4	71,1	5,6	167,5	13,2	56,8	4,5	125,7	9,9	42,6	3,3	83,8	6,6	28,4	2,2	67,0	5,3	22,7	1,8	50,3	3,9	17,1	1,3	33,5	2,6	11,4	0,9	
600	0,60	0,150	209,4	13,2	71,1	4,5	167,5	10,5	56,8	3,6	125,7	7,9	42,6	2,7	83,8	5,3	28,4	1,8	67,0	4,2	22,7	1,4	50,3	3,2	17,1	1,1	33,5	2,1	11,4	0,7	
500	0,50	0,125	209,4	11,0	71,1	3,7	167,5	8,8	56,8	3,0	125,7	6,6	42,6	2,2	83,8	4,4	28,4	1,5	67,0	3,5	22,7	1,2	50,3	2,6	17,1	0,9	33,5	1,8	11,4	0,6	
300	0,30	0,075	209,4	6,6	71,1	2,2	167,5	5,3	56,8	1,8	125,7	3,9	42,6	1,3	83,8	2,6	28,4	0,9	67,0	2,1	22,7	0,7	50,3	1,6	17,1	0,5	33,5	1,1	11,4	0,4	
100	0,10	0,025	209,4	2,2	71,1	0,7	167,5	1,8	56,8	0,6	125,7	1,3	42,6	0,4	83,8	0,9	28,4	0,3	67,0	0,7	22,7	0,2	50,3	0,5	17,1	0,2	33,5	0,4	11,4	0,1	
50	0,05	0,013	209,4	1,1	71,1	0,4	167,5	0,9	56,8	0,3	125,7	0,7	42,6	0,2	83,8	0,4	28,4	0,1	67,0	0,4	22,7	0,1	50,3	0,3	17,1	0,1	33,5	0,2	11,4	0,1	

M 7 screw Tr 100x10

n [1/min]	Lifting speed [m/min.]		F=350 [kN]				F=300 [kN]				F=250 [kN]				F=200 [kN]				F=150 [kN]				F=100 [kN]				F=50 [kN]				
	N	L	Nm	kW	Nm	kW	Nm	kW	Nm	kW	Nm	kW	Nm	kW	Nm	kW	Nm	kW	Nm	kW	Nm	kW	Nm	kW	Nm	kW	Nm	kW	Nm	kW	Nm
1500	1,50	0,375	371,4	58,3	126,6	19,9	318,3	50,0	108,5	17,0	265,3	41,7	90,4	14,2	212,2	33,3	72,3	11,4	159,2	25,0	54,3	8,5	106,1	16,7	36,2	5,7	53,1	8,3	18,1	2,8	
1000	1,00	0,250	371,4	38,9	126,6	13,3	318,3	33,3	108,5	11,4	265,3	27,8	90,4	9,5	212,2	22,2	72,3	7,6	159,2	16,7	54,3	5,7	106,1	11,1	36,2	3,8	53,1	5,6	18,1	1,9	
750	0,75	0,188	371,4	29,2	126,6	9,9	318,3	25,0	108,5	8,5	265,3	20,8	90,4	7,1	212,2	16,7	72,3	5,7	159,2	12,5	54,3	4,3	106,1	8,3	36,2	2,8	53,1	4,2	18,1	1,4	
600	0,60	0,150	371,4	23,3	126,6	8,0	318,3	20,0	108,5	6,8	265,3	16,7	90,4	5,7	212,2	13,3	72,3	4,5	159,2	10,0	54,3	3,4	106,1	6,7	36,2	2,3	53,1	3,3	18,1	1,1	
500	0,50	0,125	371,4	19,4	126,6	6,6	318,3	16,7	108,5	5,7	265,3	13,9	90,4	4,7	212,2	11,1	72,3	3,8	159,2	8,3	54,3	2,8	106,1	5,6	36,2	1,9	53,1	2,8	18,1	0,9	
300	0,30	0,075	371,4	11,7	126,6	4,0	318,3	10,0	108,5	3,4	265,3	8,3	90,4	2,8	212,2	6,7	72,3	2,3	159,2	5,0	54,3	1,7	106,1	3,3	36,2	1,1	53,1	1,7	18,1	0,6	
100	0,10	0,025	371,4	3,9	126,6	1,3	318,3	3,3	108,5	1,1	265,3	2,8	90,4	0,9	212,2	2,2	72,3	0,8	159,2	1,7	54,3	0,6	106,1	1,1	36,2	0,4	53,1	0,6	18,1	0,2	
50	0,05	0,013	371,4	1,9	126,6	0,7	318,3	1,7	108,5	0,6	265,3	1,4	90,4	0,5	212,2	1,1	72,3	0,4	159,2	0,8	54,3	0,3	106,1	0,6	36,2	0,2	53,1	0,3	18,1	0,1	

M 8 screw Tr 120x14

n [1/min]	Lifting speed [m/min.]		F=500 [kN]				F=400 [kN]				F=300 [kN]				F=200 [kN]				F=150 [kN]				F=100 [kN]				F=50 [kN]				
	N	L	Nm	kW	Nm	kW	Nm	kW	Nm	kW	Nm	kW	Nm	kW	Nm	kW	Nm	kW	Nm	kW	Nm	kW	Nm	kW	Nm	kW	Nm	kW	Nm	kW	Nm
1000	1,00	0,250	531	55,6	181	18,9	424	44,4	145	15,2	318	33,3	108	11,4	212	22,2	72	7,6	159	16,7	54	5,7	106	11,1	36	3,8	53	5,6	18	1,9	
750	0,75	0,188	531	41,7	181	14,2	424	33,3	145	11,4	318	25,0	108	8,5	212	16,7	72	5,7	159	12,5	54	4,3	106	8,3	36	2,8	53	4,2	18	1,4	
600	0,60	0,150	531	33,3	181	11,4	424	26,7	145	9,1	318	20,0	108	6,8	212	13,3	72	4,5	159	10,0	54	3,4	106	6,7	36	2,3	53	3,3	18	1,1	
500	0,50	0,125	531	27,8	181	9,5	424	22,2	145	7,6	318	16,7	108	5,7	212	11,1	72	3,8	159	8,3	54	2,8	106	5,6	36	1,9	53	2,8	18	0,9	
300	0,30	0,075	531	16,7	1																										

Screw jacks

3.4 Technical information

3.4.3.3 HSE range (High performance worm gear screw jack)

Rotary speed, power requirement and permitted lifting speed for ratio N and L with single-start, **lifting (type 1) trapezoidal screw**. All performance data is expressed in terms of dynamic lifting capacity. With duty ratio of < 10 %/h or configuration with rotating screw (type 2), the maximum permitted drive capacities can be increased. In this case, please consult our screw jack specialists.

HSE 32 screw 18x6

n [1/min]	Lifting speed [m/min]		F=5 [kN]				F=4,5 [kN]				F=4 [kN]				F=3,5 [kN]				F=3 [kN]				F=2 [kN]				F=1 [kN]			
	N	L	Nm	kW	Nm	kW	Nm	kW	Nm	kW	Nm	kW	Nm	kW	Nm	kW	Nm	kW	Nm	kW	Nm	kW	Nm	kW	Nm	kW	Nm	kW	Nm	kW
3000	4,50	1,125	2,7	0,84	0,9	0,27	2,4	0,75	0,8	0,25	2,1	0,67	0,7	0,22	1,9	0,58	0,6	0,19	1,6	0,50	0,5	0,16	1,1	0,3	0,3	0,10	0,6	0,20	0,3	0,10
2500	3,75	0,938	2,7	0,70	0,9	0,23	2,4	0,63	0,8	0,21	2,1	0,56	0,7	0,19	1,9	0,49	0,6	0,16	1,6	0,42	0,5	0,14	1,1	0,3	0,3	0,10	0,6	0,20	0,3	0,10
2000	3,00	0,750	2,7	0,56	0,9	0,19	2,4	0,51	0,8	0,17	2,2	0,45	0,7	0,15	1,9	0,40	0,6	0,13	1,6	0,34	0,5	0,11	1,1	0,2	0,3	0,10	0,6	0,20	0,3	0,10
1500	2,25	0,563	2,7	0,43	0,9	0,15	2,5	0,39	0,8	0,13	2,2	0,34	0,8	0,12	1,9	0,30	0,7	0,10	1,6	0,26	0,6	0,10	1,1	0,2	0,3	0,10	0,6	0,20	0,3	0,10
1000	1,50	0,375	2,8	0,29	1,0	0,10	2,5	0,26	1,0	0,10	2,2	0,23	0,8	0,10	2,0	0,20	0,7	0,10	1,7	0,18	0,6	0,10	1,1	0,1	0,4	0,10	0,6	0,20	0,3	0,10
750	1,13	0,281	2,8	0,22	1,0	0,10	2,5	0,20	1,3	0,10	2,3	0,18	0,8	0,10	2,0	0,16	0,7	0,10	1,7	0,13	0,6	0,10	1,1	0,1	0,4	0,10	0,6	0,20	0,3	0,10
600	0,90	0,225	2,9	0,18	1,0	0,10	2,6	0,16	1,3	0,10	2,3	0,14	0,8	0,10	2,0	0,13	0,7	0,10	1,7	0,11	0,6	0,10	1,1	0,1	0,4	0,10	0,6	0,20	0,3	0,10
500	0,75	0,188	2,9	0,15	1,0	0,10	2,6	0,14	1,5	0,10	2,3	0,12	0,9	0,10	2,0	0,11	0,8	0,10	1,7	0,10	0,7	0,10	1,1	0,1	0,4	0,10	0,6	0,20	0,3	0,10
300	0,45	0,113	2,5	0,10	1,3	0,10	2,8	0,10	1,5	0,10	2,4	0,10	0,9	0,10	2,1	0,10	0,8	0,10	1,8	0,10	0,7	0,10	1,1	0,1	0,4	0,10	0,6	0,20	0,3	0,10
100	0,15	0,038	2,5	0,10	1,3	0,10	2,8	0,10	1,5	0,10	2,5	0,10	1,0	0,10	2,1	0,10	0,9	0,10	1,8	0,10	0,7	0,10	1,1	0,1	0,5	0,10	0,6	0,20	0,3	0,10
50	0,08	0,019	2,5	0,10	1,3	0,10	2,8	0,10	1,5	0,10	2,5	0,10	1,0	0,10	2,2	0,10	0,9	0,10	1,9	0,10	0,8	0,10	1,1	0,1	0,5	0,10	0,6	0,20	0,3	0,10

HSE 36.1 screw Tr 24x5

n [1/min]	Lifting speed [m/min]		F=10 [kN]				F=9 [kN]				F=8 [kN]				F=7 [kN]				F=6 [kN]				F=4 [kN]				F=2 [kN]			
	N	L	Nm	kW	Nm	kW	Nm	kW	Nm	kW	Nm	kW	Nm	kW	Nm	kW	Nm	kW	Nm	kW	Nm	kW	Nm	kW	Nm	kW	Nm	kW	Nm	kW
3000	3,0	0,750	4,4	1,4	1,5	0,5	4,0	1,3	1,3	0,4	3,5	1,1	1,2	0,4	3,1	1,0	1,0	0,4	2,7	0,9	0,9	0,3	1,8	0,6	0,6	0,2	0,9	0,3	0,3	0,1
2500	2,5	0,625	4,4	1,2	1,5	0,4	4,0	1,1	1,3	0,4	3,5	1,0	1,2	0,3	3,1	0,8	1,0	0,3	2,7	0,7	0,9	0,3	1,8	0,5	0,6	0,2	0,9	0,3	0,3	0,1
2000	2,0	0,500	4,5	1,0	1,5	0,3	4,0	0,9	1,4	0,3	3,6	0,8	1,2	0,3	3,1	0,7	1,1	0,3	2,7	0,6	0,9	0,2	1,8	0,4	0,6	0,2	0,9	0,2	0,3	0,1
1500	1,5	0,375	4,5	0,7	1,6	0,3	4,1	0,7	1,4	0,3	3,6	0,6	1,3	0,2	3,2	0,5	1,1	0,2	2,7	0,5	1,0	0,2	1,8	0,3	0,6	0,1	0,9	0,2	0,3	0,1
1000	1,0	0,250	4,6	0,5	1,7	0,2	4,2	0,5	1,5	0,2	3,7	0,4	1,3	0,2	3,3	0,4	1,2	0,2	2,8	0,3	1,0	0,1	1,9	0,2	0,7	0,1	0,9	0,1	0,3	0,1
750	0,75	0,188	4,7	0,4	1,7	0,2	4,3	0,4	1,6	0,2	3,8	0,3	1,4	0,1	3,3	0,3	1,2	0,1	2,8	0,2	1,0	0,1	1,9	0,2	0,7	0,1	1,0	0,1	0,4	0,1
500	0,50	0,125	4,9	0,3	1,8	0,1	4,4	0,3	1,7	0,1	3,9	0,2	1,5	0,1	3,4	0,2	1,3	0,1	2,9	0,2	1,1	0,1	2,0	0,1	0,7	0,1	1,0	0,1	0,4	0,1
300	0,30	0,075	5,0	0,2	2,0	0,1	4,5	0,2	1,8	0,1	4,0	0,2	1,6	0,1	3,5	0,1	1,4	0,1	3,0	0,1	1,2	0,1	2,0	0,1	0,8	0,1	1,0	0,1	0,4	0,1
100	0,10	0,025	5,2	0,1	2,1	0,1	4,7	0,1	1,9	0,1	4,2	0,1	1,7	0,1	3,7	0,1	1,5	0,1	3,1	0,1	1,3	0,1	2,1	0,1	0,9	0,1	1,1	0,1	0,4	0,1
50	0,05	0,013	5,3	0,1	2,2	0,1	4,8	0,1	2,0	0,1	4,3	0,1	1,8	0,1	3,7	0,1	1,6	0,1	3,2	0,1	1,3	0,1	2,1	0,1	0,9	0,1	1,1	0,1	0,4	0,1

HSE 50.1 screw Tr 40x8

n [1/min]	Lifting speed [m/min]		F=25 [kN]				F=22,5 [kN]				F=20,00 [kN]				F=17,5 [kN]				F=15 [kN]				F=10 [kN]				F=5 [kN]			
	N	L	Nm	kW	Nm	kW	Nm	kW	Nm	kW	Nm	kW	Nm	kW	Nm	kW	Nm	kW	Nm	kW	Nm	kW	Nm	kW	Nm	kW	Nm	kW	Nm	kW
3000	4,00	1,000	15,4	4,8	4,9	1,5	13,8	4,3	4,4	1,4	12,3	3,9	3,9	1,2	10,8	3,4	3,4	1,1	9,2	2,9	2,9	0,9	6,2	1,9	2,0	0,6	3,1	1,0	1,0	0,3
2500	3,33	0,833	15,5	4,1	5,0	1,3	13,9	3,6	4,5	1,2	12,4	3,2	4,0	1,0	10,8	2,8	3,5	0,9	9,3	2,4	3,0	0,8	6,2	1,6	2,0	0,5	3,1	0,8	1,0	0,3
2000	2,67	0,667	15,6	3,3	5,1	1,1	14,0	2,9	4,6	1,0	12,5	2,6	4,1	0,8	10,9	2,3	3,5	0,7	9,4	2,0	3,0	0,6	6,2	1,3	2,0	0,4	3,1	0,7	1,0	0,2
1500	2,00	0,500	15,8	2,5	5,2	0,8	14,2	2,2	4,7	0,7	12,6	2,0	4,2	0,7	11,1	1,7	3,7	0,6	9,5	1,5	3,1	0,5	6,3	1,0	2,1	0,3	3,2	0,5	1,0	0,2
1000	1,33	0,333	16,1	1,7	5,5	0,6	14,5	1,5	5,0	0,5	12,9	1,4	4,4	0,5	11,3	1,2	3,9	0,4	9,7	1,0	3,3	0,3	6,5	0,7	2,2	0,2	3,2	0,3	1,1	0,1
750	1,00	0,250	16,4	1,3	5,8	0,5	14,8	1,2	5,2	0,4	13,1	1,0	4,6	0,4	11,5	0,9	4,1	0,3	9,9	0,8	3,5	0,3	6,6	0,5	2,3	0,2	3,3	0,3	1,2	0,1
500	0,67	0,167	16,8	0,9	6,2	0,3	15,2	0,8	5,6	0,3	13,5	0,7	4,9	0,3	11,8	0,6	4,3	0,2	10,1	0,5	3,7	0,2	6,7	0,3	2,5	0,1	3,4	0,2	1,2	0,1
300	0,40	0,100	17,4	0,5	6,6	0,2	15,7	0,5	6,0	0,2	13,9	0,4	5,3	0,2	12,2	0,4	4,6	0,1	10,4	0,3	4,0	0,1	7,0	0,2	2,7	0,1	3,5	0,1	1,3	0,1
100	0,13	0,033	18,4	0,2	7,5	0,1	16,5	0,2	6,7	0,1	14,7	0,1	6,0	0,1	12,9	0,1	5,2	0,1	11,0	0,1	4,5	0,1	7,3	0,1	3,0	0,1	3,7	0,1	1,5	0,1
50	0,07	0,017	18,7	0,1	7,7	0,1	16,9	0,1	6,9	0,1	15,0	0,1	6,2	0,1	13,1	0,1	5,4	0,1	11,2	0,1	4,6	0,1	7,5	0,1	3,1	0,1	3,7	0,1	1,5	0,1

HSE 63.1 screw Tr 50x9

n [1/min]	Lifting speed [m/min]		F=50 [kN]				F=40 [kN]				F=30 [kN]				F=20 [kN]				F=10 [kN]				F=5 [kN]				F=2,5 [kN]			
	N	L	Nm	kW	Nm	kW	Nm	kW	Nm	kW	Nm	kW	Nm	kW	Nm	kW	Nm	kW	Nm	kW	Nm	kW	Nm	kW	Nm	kW	Nm	kW	Nm	kW
3000	3,86	0,964	31,5	9,9	10,2	3,2	25,2	7,9	8,1	2,6	18,9	5,9	6,1	1,9	12,6	4,0	4,1	1,3	6,3	2,0	2,0	0,6	3,1	1,0	1,0	0,3	1,6	0,5	0,5	0,2
2500	3,21	0,804	31,7	8,3	10,3	2,7	25,3	6,6	8,3	2,2	19,0	5,0	6,2	1,6	12,7	3,3	4,1	1,1	6,3	1,7	2,1	0,5	3,2	0,8	1,0	0,3	1,6	0,4	0,5	0,1
2000	2,57	0,643	31,9	6,7	10,5	2,2	25,5	5,3	8,4	1,8	19,1	4,0	6,3	1,3	12,7	2,7	4,2	0,9	6,4	1,3	2,1	0,4	3,2	0,7	1,0	0,2	1,6	0,3	0,5	0,1
1500	1,93	0,482	32,3	5,1	10,8	1,7	25,8	4,1	8,7	1,4	19,4	3,0	6,5	1,0	12,9	2,0	4,3	0,7	6,5	1,0	2,2	0,3	3,2	0,5	1,1	0,2	1,6	0,3	0,5	0,1
1000	1,29	0,321	33,0	3,5	11,5	1,2	26,4	2,8	9,2	1,0	19,8	2,1	6,9	0,7	13,2	1,4	4,6	0,5	6,6	0,7	2,3	0,2	3,3	0,3	1,1	0,1	1,7	0,2	0,6	0,1
750	0,96	0,241	33,6	2,6	12,1	0,9	26,9	2,1	9,7	0,8	20,1	1,6	7,2	0,6	13,4	1,1	4,8	0,4	6,7	0,5	2,4	0,2	3,4	0,3	1,2	0,1	1,7	0,1	0,6	0,1
500	0,64	0,161	34,6	1,8	13,0	0,7	27,7	1,4	10,4	0,5	20,8	1,1	7,8	0,4	13,8	0,7	5,2	0,3	6,9	0,4	2,6	0,1	3,5	0,2	1,3	0,1	1,7	0,1	0,7	0,1
300	0,39	0,096	36,1	1,1	14,3	0,4	28,9	0,9	11,4	0,3	21,7	0,7	8,6	0,2	14,4	0,4	5,7	0,2	7,2	0,2	2,9	0,1	3,6	0,1	1,4	0,1	1,8	0,1	0,7	0,1
100	0,13	0,032																												

Screw jacks

3.4 Technical information

HSE 80.1 screw Tr 60x12

n [1/min]	Lifting speed [m/min.]		F=100 [kN]				F=80 [kN]				F=60 [kN]				F=40 [kN]				F=20 [kN]				F=10 [kN]				F=5 [kN]			
	N	L	Nm	kW	Nm	L kW	Nm	kW	Nm	L kW	Nm	kW	Nm	L kW	Nm	kW	Nm	L kW	Nm	kW	Nm	L kW	Nm	kW	Nm	L kW	Nm	kW	Nm	L kW
3000	4,500	1,125	67,7	21,3	21,7	6,8	54,2	17,0	17,3	5,5	40,6	12,8	13,0	4,1	27,1	8,5	8,7	2,7	13,6	4,3	4,3	1,4	6,8	2,2	2,2	0,7	3,4	1,1	1,1	0,4
2500	3,750	0,938	68,0	17,8	21,9	5,8	54,4	14,3	17,5	4,6	40,8	10,7	13,2	3,5	27,2	7,1	8,8	2,3	13,6	3,6	4,4	1,2	6,8	1,8	2,2	0,6	3,4	0,9	1,1	0,3
2000	3,000	0,750	68,4	14,4	22,3	4,7	54,8	11,5	17,9	3,8	41,1	8,6	13,4	2,8	27,4	5,8	9,0	1,9	13,7	2,9	4,5	1,0	6,9	1,5	2,3	0,5	3,4	0,8	1,1	0,3
1500	2,250	0,563	69,2	10,9	23,0	3,6	55,4	8,7	18,4	2,9	41,6	6,5	13,8	2,2	27,7	4,4	9,2	1,5	13,9	2,2	4,6	0,8	6,9	1,1	2,3	0,4	3,5	0,6	1,2	0,2
1000	1,500	0,375	70,7	7,4	24,4	2,6	56,6	5,9	19,5	2,1	42,5	4,5	14,6	1,6	28,3	3,0	9,8	1,1	14,2	1,5	4,9	0,6	7,1	0,8	2,5	0,3	3,6	0,4	1,2	0,2
750	1,125	0,281	72,1	5,7	25,7	2,0	57,7	4,6	20,5	1,6	43,3	3,4	15,4	1,2	28,9	2,3	10,3	0,8	14,4	1,2	5,1	0,4	7,2	0,6	2,6	0,2	3,6	0,3	1,3	0,1
500	0,750	0,188	74,6	3,9	27,9	1,5	59,7	3,1	22,3	1,2	44,8	2,4	16,7	0,9	29,9	1,6	11,2	0,6	14,9	0,8	5,6	0,3	7,5	0,4	2,8	0,2	3,7	0,2	1,4	0,1
300	0,450	0,113	78,3	2,5	31,3	1,0	62,7	2,0	25,0	0,8	47,0	1,5	18,8	0,6	31,4	1,0	12,5	0,4	15,7	0,5	6,3	0,2	7,9	0,3	3,2	0,1	3,9	0,1	1,6	0,1
100	0,150	0,038	86,2	0,9	38,3	0,4	69,0	0,7	30,6	0,3	51,8	0,6	23,0	0,3	34,5	0,4	15,3	0,2	17,3	0,2	7,7	0,1	8,6	0,1	3,8	0,1	4,3	0,1	1,9	0,1
50	0,075	0,019	89,7	0,5	41,3	0,2	71,8	0,4	33,0	0,2	53,8	0,3	24,8	0,2	35,9	0,2	16,5	0,1	18,0	0,1	8,3	0,1	9,0	0,1	4,2	0,1	4,5	0,1	2,1	0,1

HSE 100.1 screw Tr 70x12

n [1/min]	Lifting speed [m/min.]		F=200 [kN]				F=160 [kN]				F=120 [kN]				F=100 [kN]				F=75 [kN]				F=50 [kN]				F=25 [kN]			
	N	L	Nm	kW	Nm	L kW	Nm	kW	Nm	L kW	Nm	kW	Nm	L kW	Nm	kW	Nm	L kW	Nm	kW	Nm	L kW	Nm	kW	Nm	L kW	Nm	kW	Nm	L kW
3000	4,500	1,125	148	46,4	45,9	14,4	118	37,1	36,7	11,6	88,6	27,9	27,6	8,7	73,9	23,2	23,0	7,2	55,4	17,4	17,2	5,4	37,0	11,6	11,5	3,6	18,5	5,8	5,8	1,8
2500	3,750	0,938	148	38,8	46,3	12,1	119	31,1	37,0	9,7	88,9	23,3	27,8	7,3	74,1	19,4	23,2	6,1	55,6	14,6	17,4	4,6	37,1	9,7	11,6	3,0	18,6	4,9	5,8	1,6
2000	3,000	0,750	149	31,2	46,9	9,9	119	25,0	37,5	7,9	89,3	18,7	28,1	5,9	74,4	15,6	23,5	4,9	55,8	11,7	17,6	3,7	37,2	7,8	11,7	2,5	18,6	3,9	5,9	1,3
1500	2,250	0,563	150	23,6	48,0	7,6	120	18,9	38,4	6,0	90,0	14,2	28,8	4,6	75,1	11,8	24,0	3,8	56,3	8,9	18,0	2,9	37,5	5,9	12,0	1,9	18,8	3,0	6,0	1,0
1000	1,500	0,375	153	16,0	50,3	5,3	122	12,8	40,2	4,2	91,6	9,6	30,2	3,2	76,3	8,0	25,2	2,7	57,3	6,0	18,9	2,0	38,2	4,0	12,6	1,3	19,1	2,0	6,3	0,7
750	1,125	0,281	155	12,2	52,6	4,2	124	9,8	42,1	3,3	93,1	7,3	31,6	2,5	77,6	6,1	26,3	2,1	58,2	4,6	19,7	1,6	38,8	3,1	13,2	1,0	19,4	1,6	6,6	0,6
500	0,750	0,188	160	8,4	56,9	3,0	128	6,7	45,5	2,4	96,0	5,1	34,2	1,8	80,0	4,2	28,5	1,5	60,0	3,2	21,4	1,1	40,0	2,1	14,2	0,8	20,0	1,1	7,1	0,4
300	0,450	0,113	168	5,3	63,9	2,0	134	4,2	51,2	1,6	101	3,2	38,4	1,2	83,9	2,7	32,0	1,0	62,9	2,0	24,0	0,8	42,0	1,4	16,0	0,5	21,0	0,7	8,0	0,3
100	0,150	0,038	187	2,0	80,8	0,9	150	1,6	64,6	0,7	112	1,2	48,5	0,6	93,3	1,0	40,4	0,5	70,0	0,8	30,3	0,4	46,7	0,5	20,2	0,2	23,4	0,3	10,1	0,2
50	0,075	0,019	196	1,1	88,9	0,5	157	0,8	71,1	0,4	118	0,6	53,4	0,3	98,0	0,6	44,5	0,3	73,5	0,4	33,4	0,2	49,0	0,3	22,2	0,2	24,5	0,2	11,1	0,2

HSE 125.1 screw Tr 100x16

n [1/min]	Lifting speed [m/min.]		F=350 [kN]				F=300 [kN]				F=250 [kN]				F=200 [kN]				F=150 [kN]				F=100 [kN]				F=50 [kN]			
	N	L	Nm	kW	Nm	L kW	Nm	kW	Nm	L kW	Nm	kW	Nm	L kW	Nm	kW	Nm	L kW	Nm	kW	Nm	L kW	Nm	kW	Nm	L kW	Nm	kW	Nm	L kW
3000	4,50	1,50	271	85	106	33	232	73	91	29	194	61	76	24	155	49	61	19	116	37	45	15	78	25	30	9,5	39	13	15	4,8
2500	3,75	1,25	272	71	106	28	233	61	91	24	194	51	76	20	155	41	61	16	117	31	46	12	78	21	30	8,0	39	11	15	4,0
2000	3,00	1,00	273	57	107	23	234	49	92	19	195	41	77	16	156	33	62	13	117	25	46	9,6	78	17	31	6,4	39	8,2	15	3,2
1500	2,25	0,75	275	43	109	17	236	37	93	15	196	31	78	13	157	25	62	9,8	118	19	47	7,4	79	13	31	4,9	39	6,2	16	2,5
1000	1,50	0,50	279	29	113	12	239	25	97	10	199	21	81	8,5	159	17	65	6,8	120	13	49	5,1	80	8,4	32	3,4	40	4,2	16	1,7
750	1,13	0,38	284	23	117	9,2	243	19	100	7,9	203	16	84	6,6	162	13	67	5,3	122	9,6	50	4,0	81	6,4	34	2,7	41	3,2	17	1,4
500	0,75	0,25	292	16	126	6,6	251	13	108	5,7	209	11	90	4,7	167	8,8	72	3,8	126	6,6	54	2,8	84	4,4	36	1,9	42	2,2	18	1,0
300	0,45	0,15	308	10	140	4,4	264	8,3	120	3,8	220	6,9	100	3,2	176	5,6	80	2,6	132	4,2	60	1,9	88	2,8	40	1,3	44	1,4	20	0,7
100	0,15	0,05	349	3,7	178	1,9	299	3,2	153	1,6	250	2,7	127	1,4	200	2,1	102	1,1	150	1,6	77	0,8	100	1,1	51	0,6	50	0,6	26	0,3
50	0,08	0,03	372	2,0	198	1,1	318	1,7	170	0,9	265	1,4	142	0,8	212	1,2	114	0,6	160	0,9	85	0,5	106	0,6	57	0,3	53	0,3	29	0,2

HSE 140 screw Tr 120x16

n [1/min]	Lifting speed [m/min.]		F=500 [kN]				F=400 [kN]				F=300 [kN]				F=250 [kN]				F=200 [kN]				F=150 [kN]				F=100 [kN]				
	N	L	Nm	kW	Nm	L kW	Nm	kW	Nm	L kW	Nm	kW	Nm	L kW	Nm	kW	Nm	L kW	Nm	kW	Nm	L kW	Nm	kW	Nm	L kW	Nm	kW	Nm	L kW	
3000																															
2500																															
2000																															
1500																															
1000																															
750																															
500																															
300																															
100																															
50																															

HSE 200.1 screw Tr 160x20

n [1/min]	Lifting speed [m/min.]		F=1000 [kN]				F=800 [kN]				F=600 [kN]				F=400 [kN]				F=200 [kN]				F=100 [kN]				F=50 [kN]			
	N	L	Nm	kW	Nm	L kW	Nm	kW	Nm	L kW	Nm	kW	Nm	L kW	Nm	kW	Nm	L kW	Nm	kW	Nm	L kW	Nm	kW	Nm	L kW	Nm	kW	Nm	L kW
3000	4,50	1,50	905	284	342	108	724	228	274	86	543	171	205	65	362	114	137	43	181	57	69	22	91	29	34	11	46	15	17	5,4
2500	3,75	1,25	906	237	343	90	725	190	274	72	544	143	206	54	362	95	137	36	181	48	69	18	91	24	34	9,0	46	12	17	4,5
2000	3,00	1,00	907	190	344	72	726	152	275	58	545	114	207	44	363	76	138	29	182	38	69	15	91	19	35	7,2	46	10	17	3,6
1500	2,25	0,75	911	143																										

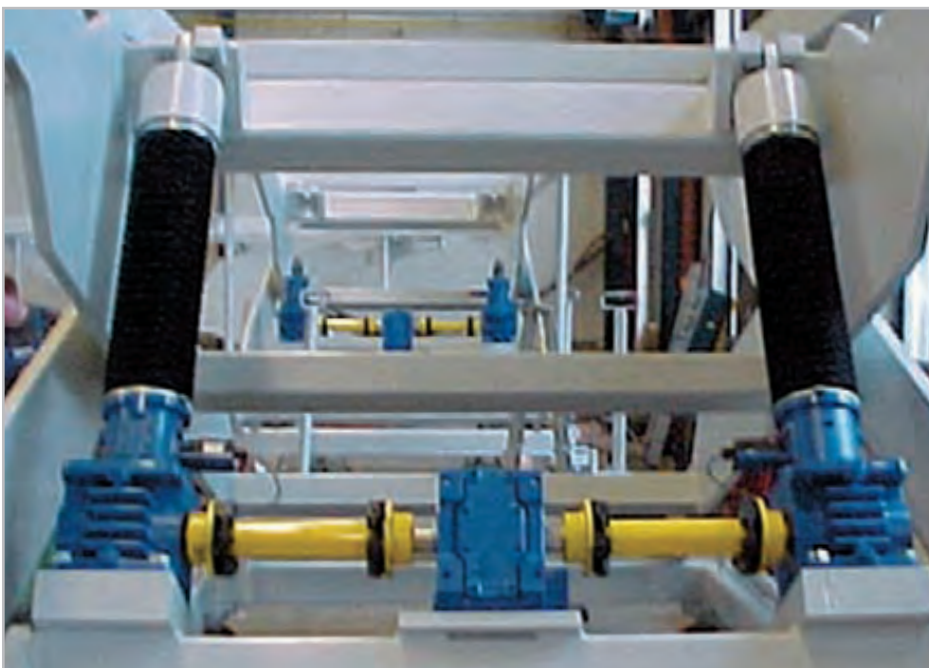
Application Examples

Scissors elevating platform in swivelling configuration.



3

HSE high performance worm gear screw jack, configuration type 1, synchronized as tandem via connecting shaft.



Screw jacks

3.4 Technical information

3.4.3.4 SHG range (Quick lifting screw jack)

Rotary speed, power requirement and permitted lifting speed for ratio 2:1 and 3:1 with single-start, **lifting (type 1) trapezoidal screw**. All performance data is expressed in terms of dynamic lifting capacity. With duty ratio of < 10 %/h or configuration with rotating screw (type 2), the maximum permitted drive capacities can be increased. In this case, please consult our screw jack specialists.

3

G 15 screw Tr 24x5

n [1/min]	Lifting speed [m/min.]		F=15 [kN]				F=12,5 [kN]				F=10 [kN]				F=7,5 [kN]				F=5 [kN]				F=2,5 [kN]				F=1 [kN]			
			2:1		3:1		2:1		3:1		2:1		3:1		2:1		3:1		2:1		3:1		2:1		3:1		2:1		3:1	
			Nm	kW	Nm	kW	Nm	kW	Nm	kW	Nm	kW	Nm	kW	Nm	kW	Nm	kW	Nm	kW	Nm	kW	Nm	kW	Nm	kW	Nm	kW	Nm	kW
3000	7,5	5	16	4,6	12	3,2	14	3,9	10	2,8	11	3,2	8	2,3	8,9	2,6	6,4	1,9	6,5	1,9	5	1,4	4,1	1,2	3,2	1	2,7	0,8	2,3	0,7
2250	5,6	3,75	16	3,5	12	2,4	14	3	10	2,1	11	2,4	8	1,8	8,9	1,9	6,4	1,4	6,5	1,4	5	1,1	4,1	0,9	3,2	0,7	2,7	0,6	2,3	0,5
1500	3,75	2,5	16	2,3	12	1,6	14	2	10	1,4	11	1,6	8	1,2	8,9	1,3	6,4	1	6,5	1	5	0,7	4,1	0,6	3,2	0,5	2,7	0,4	2,3	0,4
1000	2,5	1,67	16	1,6	12	1,1	14	1,3	10	1	11	1,1	8	0,8	8,9	0,9	6,4	0,7	6,5	0,7	5	0,5	4,1	0,4	3,2	0,4	2,7	0,3	2,3	0,3
750	1,88	1,25	16	1,2	12	0,8	14	1	10	0,7	11	0,8	8	0,6	8,9	0,7	6,4	0,5	6,5	0,5	5	0,4	4,1	0,3	3,2	0,3	2,7	0,2	2,3	0,2
500	1,25	0,83	16	0,8	12	0,6	14	0,7	10	0,5	11	0,6	8	0,4	8,9	0,5	6,4	0,3	6,5	0,4	5	0,3	4,1	0,2	3,2	0,2	2,7	0,2	2,3	0,1
250	0,63	0,42	16	0,4	12	0,3	14	0,4	10	0,3	11	0,3	8	0,2	8,9	0,3	6,4	0,2	6,5	0,2	5	0,2	4,1	0,1	3,2	0,1	2,7	0,1	2,3	0,1

G 25 screw Tr 35x8

n [1/min]	Lifting speed [m/min.]		F=25 [kN]				F=20 [kN]				F=15 [kN]				F=10 [kN]				F=5 [kN]				F=2,5 [kN]				F=1 [kN]			
			2:1		3:1		2:1		3:1		2:1		3:1		2:1		3:1		2:1		3:1		2:1		3:1		2:1		3:1	
			Nm	kW	Nm	kW	Nm	kW	Nm	kW	Nm	kW	Nm	kW	Nm	kW	Nm	kW	Nm	kW	Nm	kW	Nm	kW	Nm	kW	Nm	kW	Nm	kW
3000	12	8	40	13	28	8,6	33	10	23	7	25	7,8	18	5,6	18	5,5	13	3,9	10	3,2	8	2,4	7	2	6	1,6	5	1,3	4	1,1
2250	9	6	40	9,4	28	6,5	33	7,7	23	5,4	25	5,9	18	4,2	18	4,2	13	3	10	2,4	8	1,9	7	1,6	6	1,3	5	1	4	0,9
1500	6	4	40	6,3	28	4,4	33	5,2	23	3,6	25	4	18	2,8	18	2,8	13	2,1	10	1,7	8	1,3	7	1,1	6	0,9	5	0,7	4	0,7
1000	4	2,6	40	4,2	28	2,9	33	3,5	23	2,4	25	2,7	18	1,9	18	1,9	13	1,4	10	1,1	8	0,9	7	0,7	6	0,6	5	0,5	4	0,5
750	3	2	40	3	28	2,1	33	2,5	23	1,7	25	1,9	18	1,3	18	1,3	13	0,9	10	0,7	8	0,5	7	0,4	6	0,3	5	0,3	4	0,2
500	2	1,3	40	2	28	1,4	33	1,6	23	1,1	25	1,3	18	0,9	18	0,9	13	0,6	10	0,5	8	0,4	7	0,3	6	0,2	5	0,2	4	0,2
250	1	0,6	40	1,1	28	0,7	33	0,9	23	0,6	25	0,7	18	0,5	18	0,5	13	0,4	10	0,3	8	0,2	7	0,2	6	0,2	5	0,1	4	0,1

G 50 screw Tr 40x7

n [1/min]	Lifting speed [m/min.]		F=50 [kN]				F=30 [kN]				F=20 [kN]				F=15 [kN]				F=10 [kN]				F=5 [kN]				F=2,5 [kN]			
			2:1		3:1		2:1		3:1		2:1		3:1		2:1		3:1		2:1		3:1		2:1		3:1		2:1		3:1	
			Nm	kW	Nm	kW	Nm	kW	Nm	kW	Nm	kW	Nm	kW	Nm	kW	Nm	kW	Nm	kW	Nm	kW	Nm	kW	Nm	kW	Nm	kW	Nm	kW
3000	10,5	7	80	22	54	15	48	14	33	9,3	33	9,3	23	6,4	26	7,1	18	5	18	5	13	3,5	11	2,8	8	2,1	7	1,8	5,2	1,4
2250	7,9	5,25	80	16	54	11	48	10	33	7	33	7	23	4,8	26	5,4	18	3,7	18	3,7	13	2,7	11	2,1	8	1,6	7	1,3	5,2	1,1
1500	5,2	3,5	80	11	54	7,5	48	6,8	33	4,7	33	4,7	23	3,2	26	3,6	18	2,5	18	2,5	13	1,8	11	1,4	8	1,1	7	0,9	5,2	0,7
1000	3,5	2,3	80	7,5	54	5	48	4,6	33	3,1	33	3,1	23	2,2	26	2,4	18	1,7	18	1,7	13	1,2	11	1	8	0,7	7	0,6	5,2	0,5
750	2,6	1,75	80	5	54	3,8	48	3,4	33	2,3	33	2,4	23	1,6	26	1,8	18	1,3	18	1,3	13	0,9	11	0,7	8	0,6	7	0,5	5,2	0,4
500	1,75	1,17	80	3,8	54	2,5	48	2,3	33	1,6	33	1,6	23	1,1	26	1,2	18	0,9	18	0,9	13	0,6	11	0,5	8	0,4	7	0,3	5,2	0,3
250	0,87	0,58	80	1,9	54	1,4	48	1,2	33	0,8	33	0,8	23	0,6	26	0,6	18	0,5	18	0,5	13	0,3	11	0,3	8	0,2	7	0,2	5,2	0,2

G 90 screw Tr 60x9

n [1/min]	Lifting speed [m/min.]		F=90 [kN]				F=75 [kN]				F=50 [kN]				F=25 [kN]				F=10 [kN]				F=5 [kN]				F=2,5 [kN]			
			2:1		3:1		2:1		3:1		2:1		3:1		2:1		3:1		2:1		3:1		2:1		3:1		2:1		3:1	
			Nm	kW	Nm	kW	Nm	kW	Nm	kW	Nm	kW	Nm	kW	Nm	kW	Nm	kW	Nm	kW	Nm	kW	Nm	kW	Nm	kW	Nm	kW	Nm	kW
3000	13,5	9	207	58	140	39	174	49	118	33	119	33	81	22	63	17	44	12	30	7,6	22	5,5	19	4,5	14	3,4	14	2,9	10	2,4
2250	10,1	6,75	207	44	140	29	174	37	118	25	119	25	81	17	63	13	44	8,9	30	5,7	22	4,1	19	3,4	14	2,6	14	2,2	10	1,8
1500	6,75	4,5	207	29	140	20	174	24	118	16	119	16	81	11	63	8,5	44	5,9	30	3,8	22	2,8	19	2,3	14	1,7	14	1,5	10	1,2
1000	4,5	3	207	19	140	13	174	16	118	11	119	11	81	7,5	63	5,7	44	4	30	2,6	22	1,9	19	1,5	14	1,2	14	1	10	0,8
750	3,37	2,25	207	15	140	10	174	12	118	8,2	119	8,2	81	5,6	63	4,3	44	3	30	1,9	22	1,4	19	1,1	14	0,9	14	0,8	10	0,6
500	2,25	1,5	207	9,7	140	6,6	174	8,1	118	5,5	119	5,5	81	3,8	63	2,9	44	2	30	1,3	22	1	19	0,8	14	0,6	14	0,5	10	0,4
250	1,12	0,75	207	4,9	140	3,3	174	4,1	118	2,8	119	2,8	81	1,9	63	1,5	44	1	30	0,7	22	0,5	19	0,4	14	0,3	14	0,3	10	0,2

20 % ED / 1 hr or 30 % ED / 10 min. and ambient temperature 20 °C
 static only (dynamic not permitted)
 10 % ED / 1 hr and ambient temperature 20 °C

Screw jacks

3.4 Technical information

3.4.4 Performance tables (screw jacks with Ku ball screw)

3.4.4.1 HSE Ku range (High performance worm gear screw jack)



Rotary speed, power requirement and permitted lifting speed for ratio „N“ with lifting (type 1) ball screw. All performance data is expressed in terms of dynamic lifting force with 20 % ED/h. Ball screws (Ku) with higher load capacity are possible with configuration type-2.

3

HSE 36.1 screw Ku 20x10; 20x5

n [1/min]	Lifting speed [m/min.]		F=10 [kN]				F=9 [kN]				F=8 [kN]				F=7 [kN]				F=6 [kN]				F=4 [kN]				F=2 [kN]			
	10	5	20x10		20x5		20x10		20x5		20x10		20x5		20x10		20x5		20x10		20x5		20x10		20x5		20x10		20x5	
Ku.20x	Nm	kW	Nm	kW	Nm	kW	Nm	kW	Nm	kW	Nm	kW	Nm	kW	Nm	kW	Nm	kW	Nm	kW	Nm	kW	Nm	kW	Nm	kW	Nm	kW	Nm	kW
3000	6,0	3,0	4,2	1,3	2,1	0,7	3,8	1,2	1,9	0,6	3,4	1,1	1,7	0,5	2,9	0,9	1,5	0,5	2,5	0,8	1,3	0,4	1,7	0,5	0,8	0,3	0,8	0,3	0,1	0,1
2500	5	2,5	4,2	1,1	2,1	0,6	3,8	1	1,9	0,5	3,4	0,9	1,7	0,4	3	0,8	1,5	0,4	2,5	0,7	1,3	0,3	1,7	0,4	0,8	0,2	0,8	0,2	0,1	0,1
2000	4	2,0	4,3	0,9	2,1	0,4	3,8	0,8	1,9	0,4	3,4	0,7	1,7	0,4	3	0,6	1,5	0,3	2,6	0,5	1,3	0,3	1,7	0,4	0,9	0,2	0,9	0,2	0,1	0,1
1500	3	1,5	4,3	0,7	2,2	0,3	3,9	0,6	1,9	0,3	3,5	0,5	1,7	0,3	3	0,5	1,5	0,2	2,6	0,4	1,3	0,2	1,7	0,3	0,9	0,1	0,9	0,1	0,1	0,1
1000	2	1,0	4,4	0,5	2,2	0,2	4	0,4	2	0,2	3,5	0,4	1,8	0,2	3,1	0,3	1,5	0,2	2,7	0,3	1,3	0,1	1,8	0,2	0,9	0,1	0,9	0,1	0,2	0,1
750	1,5	0,75	4,5	0,4	2,2	0,2	4	0,3	2	0,2	3,6	0,3	1,8	0,1	3,1	0,2	1,6	0,1	2,7	0,2	1,3	0,1	1,8	0,1	0,9	0,1	0,9	0,1	0,2	0,1

HSE 50.1 screw Ku 32x10; 32x5

n [1/min]	Lifting speed [m/min.]		F=25 [kN]				F=22,5 [kN]				F=20,0 [kN]				F=17,5 [kN]				F=15 [kN]				F=10 [kN]				F=5 [kN]			
	10	5	32x10		32x5		32x10		32x5		32x10		32x5		32x10		32x5		32x10		32x5		32x10		32x5		32x10		32x5	
Ku.32x	Nm	kW	Nm	kW	Nm	kW	Nm	kW	Nm	kW	Nm	kW	Nm	kW	Nm	kW	Nm	kW	Nm	kW	Nm	kW	Nm	kW	Nm	kW	Nm	kW	Nm	kW
3000	5,0	2,5	8,5	2,7	4,3	1,4	7,7	2,4	3,8	1,2	6,8	2,1	3,4	1,1	6	1,9	3	1	5,1	1,6	2,6	0,8	3,4	1,1	1,7	0,6	1,7	0,5	0,9	0,3
2500	4,2	2,1	8,6	2,2	4,3	1,1	7,7	2	3,9	1	6,9	1,8	3,4	0,9	6	1,6	3	0,8	5,2	1,3	2,6	0,7	3,4	0,9	1,7	0,5	1,7	0,4	0,9	0,2
2000	3,4	1,7	8,7	1,8	4,3	0,9	7,8	1,6	3,9	0,8	6,9	1,4	3,5	0,7	6,1	1,3	3	0,7	5,2	1,1	2,6	0,6	3,5	0,7	1,7	0,4	1,7	0,4	0,9	0,2
1500	2,4	1,2	8,8	1,4	4,4	0,7	7,9	1,2	3,9	0,6	7	1,1	3,5	0,6	6,1	1	3,1	0,5	5,3	0,8	2,6	0,4	3,5	0,6	1,8	0,3	1,8	0,3	0,9	0,2
1000	1,6	0,8	8,9	0,9	4,5	0,5	8	0,8	4	0,4	7,2	0,7	3,6	0,4	6,3	0,7	3,1	0,4	5,4	0,6	2,7	0,3	3,6	0,4	1,8	0,2	1,8	0,2	0,9	0,1
750	1,2	0,6	9,1	0,7	4,6	0,4	8,2	0,6	4,1	0,3	7,3	0,6	3,6	0,3	6,4	0,5	3,2	0,3	5,5	0,4	2,7	0,2	3,6	0,3	1,8	0,2	1,8	0,1	0,9	0,1

HSE 63.1 screw Ku 40x24; 40x10

n [1/min]	Lifting speed [m/min.]		F=50 [kN]				F=40 [kN]				F=30 [kN]				F=20 [kN]				F=10 [kN]				F=5 [kN]				F=2,5 [kN]			
	24	10	40x24		40x10		40x24		40x10		40x24		40x10		40x24		40x10		40x24		40x10		40x24		40x10		40x24		40x10	
Ku.40x	Nm	kW	Nm	kW	Nm	kW	Nm	kW	Nm	kW	Nm	kW	Nm	kW	Nm	kW	Nm	kW	Nm	kW	Nm	kW	Nm	kW	Nm	kW	Nm	kW	Nm	kW
3000	10,3	4,3	35	11	14	4,6	28	8,7	12	3,7	21	6,5	8,7	2,7	14	4,4	5,8	1,8	6,9	2,2	2,9	0,9	3,5	1,1	1,4	0,5	1,7	0,5	0,7	0,3
2500	8,57	3,55	35	9,1	15	3,8	28	7,3	12	3,1	21	5,5	8,7	2,3	14	3,7	5,8	1,5	7	1,8	2,9	0,8	3,5	0,9	1,5	0,4	1,7	0,5	0,7	0,2
2000	6,86	2,85	35	7,4	15	3,1	28	5,9	12	2,5	21	4,4	8,8	1,9	14	2,9	5,9	1,3	7	1,5	2,9	0,6	3,5	0,7	1,5	0,3	1,8	0,4	0,7	0,2
1500	5,14	2,15	36	5,6	15	2,4	28	4,5	12	1,9	21	3,4	8,9	1,4	14	2,2	5,9	1	7,1	1,1	3	0,5	3,6	0,6	1,5	0,3	1,8	0,3	0,7	0,1
1000	3,43	1,45	36	3,8	15	1,6	29	3	12	1,3	22	2,3	9,1	1	15	1,5	6,1	0,7	7,3	0,8	3	0,3	3,6	0,4	1,5	0,2	1,8	0,2	0,8	0,1
750	2,57	1,05	37	2,9	15	1,2	30	2,3	12	1	22	1,7	9,3	0,8	15	1,2	6,2	0,5	7,4	0,6	3,1	0,3	3,7	0,3	1,5	0,1	1,9	0,1	0,8	0,1

HSE 80.1 screw Ku 50x24; 63x10

n [1/min]	Lifting speed [m/min.]		100 [kN]				80 [kN]				60 [kN]				40 [kN]				20 [kN]				10 [kN]				5 [kN]			
	24	10	50x24		63x10		50x24		63x10		50x24		63x10		50x24		63x10		50x24		63x10		50x24		63x10		50x24		63x10	
Ku.50/63	Nm	kW	Nm	kW	Nm	kW	Nm	kW	Nm	kW	Nm	kW	Nm	kW	Nm	kW	Nm	kW	Nm	kW	Nm	kW	Nm	kW	Nm	kW	Nm	kW	Nm	kW
3000	9,0	3,7	60	19	25	7,9	48	15	20	6,3	36	11	15	4,7	24	7,5	10	3,1	12	3,8	5	1,6	6	1,9	2,5	0,8	3	0,9	1,3	0,4
2500	7,4	3,1	60	16	25	6,6	48	13	20	5,3	36	9,5	15	4	24	6,3	10	2,6	12	3,2	5	1,3	6	1,6	2,5	0,7	3	0,8	1,3	0,3
2000	6,0	2,5	61	13	25	5,3	48	10	20	4,2	36	7,6	15	3,2	24	5,1	10	2,1	12	2,5	5	1	6,1	1,3	2,5	0,5	3	0,6	1,3	0,3
1500	4,4	1,85	61	9,6	26	4	49	7,7	20	3,2	37	5,8	15	2,4	24	3,8	10	1,6	12	1,9	5,1	0,8	6,1	1	2,6	0,4	3,1	0,5	1,3	0,2
1000	3,0	1,25	62	6,5	26	2,7	50	5,2	21	2,2	37	3,9	16	1,6	25	2,6	10	1,1	12	1,3	5,2	0,5	6,2	0,7	2,6	0,3	3,1	0,3	1,3	0,1
750	2,3	0,95	64	5	27	2,1	51	4	21	1,7	38	3	16	1,3	25	2	11	0,8	13	1	5,3	0,4	6,4	0,5	2,7	0,2	3,2	0,2	1,3	0,1

HSE 100.1 screw Ku 63x20; 80x10

n [1/min]	Lifting speed [m/min.]		F=200 [kN]				F=160 [kN]				F=120 [kN]				F=100 [kN]				F=75 [kN]				F=50 [kN]				F=25 [kN]			
	20	10	63x20		80x10		63x20		80x10		63x20		80x10		63x20		80x10		63x20		80x10		63x20		80x10		63x20		80x10	
Ku.63/80	Nm	kW	Nm	kW	Nm	kW	Nm	kW	Nm	kW	Nm	kW	Nm	kW	Nm	kW	Nm	kW	Nm	kW	Nm	kW	Nm	kW	Nm	kW	Nm	kW	Nm	kW
3000	7,5	3,75	98	31	49	15	79	25	39	12	59	19	29	9,3	49	15	25	7,7	37	12	18	5,8	25	7,7	12	3,9	12	3,9	6,1	2
2500	6,2	3,1	99	26	49	13	79	21	39	10	59	16	30	7,8	49	13	25	6,5	37	9,7	19	4,9	25	6,5	12	3,3	12	3,2	6,2	1,6
2000	5,0	2,5	99	21	50	10	79	17	40	8,3	59	13	30	6,3	50	10	25	5,2	37	7,8	19	3,9	25	5,2	12	2,6	12	2,6	6,2	1,3
1500	3,7	1,85	100	16	50	7,9	80	13	40	6,3	60	9,4	30	4,7	50	7,8	25	3,9	37	5,9	19	3	25	3,9	12	2	12	2	6,2	1
1000	2,5	1,25	101	11	51	5,3	81	8,5	41	4,3	61	6,4	30	3,2	51	5,3	25	2,7	38	4	19	2	25	2,7	13	1,4	13	1,3	6,3	0,7
750	1,9	0,95	103	8,1	51	4,1	82	6,5	41	3,3	62	4,9	31	2,5	51	4	26	2	39	3	19	1,5	26	2	13	1	13	1	6,4	0,5

Service life > 500 hours
 static only (dynamic not permitted)
 Service life 100 to 500 hours

Screw jacks

3.4 Technical information

3.4.4.2 SHG Ku range (Quick-lifting screw jack)

Rotary speed, power requirement and permitted lifting speed for ratio „N“ with **lifting (type 1) ball screw**. All performance data is expressed in terms of dynamic lifting force with 20 % ED/h. Ball screws (Ku) with higher load capacity are possible with configuration type 2.



G 15 screw Ku 25x5

n [1/min]	Lifting speed [m/min.]	F=15 [kN]		F=9,5 [kN]		F=7 [kN]		F=5 [kN]		F=3 [kN]		F=2 [kN]		F=1 [kN]	
		Nm	kW	Nm	kW	Nm	kW	Nm	kW	Nm	kW	Nm	kW	Nm	kW
3000	7,5	11	3,1	8	2,2	6,2	1,8	5	1,5	4	1,2	3,3	1	2,7	0,8
2500	6,25	11	2,6	8	1,9	6,2	1,5	5	1,2	4	1	3,3	0,8	2,7	0,7
2000	5	11	2,1	8	1,5	6,2	1,2	5	1	4	0,8	3,3	0,7	2,7	0,6
1500	3,75	11	1,6	8	1,1	6,2	0,9	5	0,8	4	0,6	3,3	0,5	2,7	0,4
1000	2,5	11	1,1	8	0,8	6,2	0,6	5	0,5	4	0,4	3,3	0,4	2,7	0,3
750	1,87	11	0,8	8	0,6	6,2	0,5	5	0,4	4	0,3	3,3	0,3	2,7	0,2

G 25 screw Ku 25x10; 25x5

n [1/min]	Lifting speed [m/min.]	F=25 [kN]		F=20 [kN]		F=15 [kN]		F=10 [kN]		F=5 [kN]		F=2,5 [kN]		F=1 [kN]	
		Nm	kW	Nm	kW	Nm	kW	Nm	kW	Nm	kW	Nm	kW	Nm	kW
3000	15,0	25	7,8	21	6,4	16	5	12	3,6	7	2,2	5	1,5	3,5	1,1
2500	12,5	25	6,5	21	5,4	16	4,2	12	3,1	7	1,9	5	1,3	3,5	1
2000	10	25	5,3	21	4,4	16	3,4	12	2,5	7	1,6	5	1,1	3,5	0,8
1500	7,5	25	4	21	3,3	16	2,6	12	1,9	7	1,2	5	0,8	3,5	0,6
1000	5	25	2,7	21	2,2	16	1,7	12	1,3	7	0,8	5	0,6	3,5	0,4
750	3,8	25	1,9	21	1,5	16	1,2	12	0,8	7	0,5	5	0,3	3,5	0,2

G 50 screw Ku 32x10; 40x5

n [1/min]	Lifting speed [m/min.]	F=40 [kN]		F=25 [kN]		F=20 [kN]		F=15 [kN]		F=10 [kN]		F=5 [kN]		F=2,5 [kN]	
		Nm	kW	Nm	kW	Nm	kW	Nm	kW	Nm	kW	Nm	kW	Nm	kW
3000	15,0	48	14	31	8,9	25	7,2	20	5,6	14	3,9	8	2,3	5	1,5
2500	12,5	48	12	31	7,4	25	6	20	4,7	14	3,3	8	1,9	5	1,2
2000	10	48	9,2	31	5,8	25	4,8	20	3,7	14	2,9	8	1,6	5	1,1
1500	7,5	48	6,9	31	4,4	25	3,6	20	2,8	14	2,1	8	1,2	5	0,8
1000	5	48	4,6	31	3	25	2,4	20	1,9	14	1,4	8	0,8	5	0,5
750	3,8	48	3,5	31	2,3	25	1,9	20	1,4	14	1,1	8	0,6	5	0,4

G 90 screw Ku 63x10

n [1/min]	Lifting speed [m/min.]	F=90 [kN]		F=60 [kN]		F=40 [kN]		F=20 [kN]		F=15 [kN]		F=10 [kN]		F=5 [kN]	
		Nm	kW	Nm	kW	Nm	kW	Nm	kW	Nm	kW	Nm	kW	Nm	kW
3000	15	116	32	80	23	55	16	30	8,3	25	6,7	19	4,8	13	3,1
2500	12,5	116	28	80	19	55	13	30	7	25	5,5	19	4	13	2,6
2000	10	116	22	80	15	55	11	30	5,6	25	4,4	19	3,2	13	2
1500	7,5	116	17	80	12	55	8	30	4,2	25	3,3	19	2,4	13	1,5
1000	5	116	11	80	7,5	55	5,1	30	2,8	25	2,2	19	1,6	13	1
750	3,8	116	8,4	80	5,7	55	4	30	2,1	25	1,7	19	1,2	13	0,8

Service life > 500 hours

static only (dynamic not permitted)

Service life 100 to 500 hours

3.4 Technical information

3.4.5 Screw jack efficiency ratings „ η ”

$$\text{Formula: } \eta_{HE} = \eta_G * \eta_{Sp}$$

3.4.5.1 SHE range

Overall efficiency ratings η_{HE} of SHE gears and trapezoidal screws with grease-lubrication

Size	0,5	1.1 ¹⁾	2	3.1 ¹⁾	5.1 ¹⁾	15.1	20.1 ¹⁾	25	35	50.1 ¹⁾	75	100.1 ¹⁾	150	200.1
η_{HE}	0,31	0,30	0,31	0,27	0,24	0,27	0,24	0,22	0,21	0,15	0,18	0,15	0,16	0,175
Size	0,5 L	1.1 L ¹⁾	2 L	3.1 L ¹⁾	5.1 L ¹⁾	15.1 L	20.1 L ¹⁾	25 L	35 L	50.1 L ¹⁾	75 L	100.1 L ¹⁾	150 L	200.1 L
η_{HE}	0,24	0,23	0,18	0,19	0,16	0,17	0,17	0,15	0,14	0,10	0,12	0,09	-	-

Gear efficiency ratings η_G of SHE gears with grease-lubrication (without screws)

Size	0,5	1.1 ¹⁾	2	3.1 ¹⁾	5.1 ¹⁾	15.1	20.1 ¹⁾	25	35	50.1 ¹⁾	75	100.1 ¹⁾	150	200.1
η_G	0,58	0,72	0,68	0,68	0,66	0,66	0,67	0,61	0,62	0,5	0,55	0,53	0,56	0,60
Size	0,5 L	1.1 L ¹⁾	2 L	3.1 L ¹⁾	5.1 L ¹⁾	15.1 L	20.1 L ¹⁾	25 L	35 L	50.1 L ¹⁾	75 L	100.1 L ¹⁾	150 L	200.1 L
η_G	0,45	0,55	0,41	0,47	0,43	0,42	0,47	0,41	0,42	0,34	0,35	0,32	-	-

¹⁾ Size X.1 replaces previous size

The new sizes are compatible with the previous sizes.

Previous sizes are available upon request.

3.4.5.2 MERKUR range

Overall efficiency ratings η_{HE} of MERKUR gears and trapezoidal screws with grease-lubrication

Size	M0	M1	M2	M3	M4	M5	M6	M7	M8
η_{HE}	0,34	0,30	0,28	0,27	0,25	0,19	0,19	0,15	0,15
Size	M0 L	M1 L	M2 L	M3 L	M4 L	M5 L	M6 L	M7 L	M8 L
η_{HE}	0,24	0,23	0,21	0,19	0,18	0,14	0,14	0,11	0,11

Gear efficiency ratings η_G of MERKUR gears with grease-lubrication (without screws)

Size	M0	M1	M2	M3	M4	M5	M6	M7	M8
η_G	0,68	0,71	0,70	0,69	0,69	0,57	0,64	0,61	0,57
Size	M0 L	M1 L	M2 L	M3 L	M4 L	M5 L	M6 L	M7 L	M8 L
η_G	0,47	0,54	0,51	0,48	0,49	0,42	0,47	0,45	0,42

Screw jacks

3.4 Technical information

3.4.5.3 HSE range

Overall efficiency ratings η_{HE} of HSE gears and trapezoidal screws

HSE n_i [min ⁻¹]	32	36.1	50.1	63.1	80.1	100.1	125.1	140	200.1
3000	0,449	0,365	0,345	0,319	0,353	0,324	0,309		0,264
2500	0,446	0,362	0,343	0,317	0,352	0,323	0,308		0,264
2000	0,443	0,359	0,340	0,315	0,350	0,321	0,307		0,263
1500	0,437	0,355	0,336	0,311	0,346	0,319	0,305		0,262
1000	0,428	0,347	0,329	0,304	0,339	0,314	0,301	on	0,260
750	0,422	0,342	0,323	0,299	0,333	0,309	0,296	request	0,258
600	0,417	0,337	0,319	0,294	0,328	0,305	0,292		0,256
500	0,413	0,334	0,315	0,290	0,323	0,301	0,288		0,253
300	0,403	0,325	0,305	0,278	0,309	0,288	0,275		0,243
100	0,389	0,313	0,289	0,258	0,282	0,261	0,244		0,215
50	0,383	0,309	0,283	0,251	0,272	0,249	0,230		0,199
HSE n_i [min ⁻¹]	32 L	36.1 L	50.1 L	63.1 L	80.1 L	100.1 L	125.1 L	140 L	200.1 L
3000	0,341	0,280	0,272	0,247	0,277	0,261	0,265		0,233
2500	0,334	0,275	0,267	0,243	0,274	0,259	0,263		0,233
2000	0,327	0,269	0,262	0,239	0,270	0,256	0,261		0,232
1500	0,317	0,260	0,254	0,232	0,262	0,250	0,257		0,230
1000	0,302	0,246	0,240	0,219	0,248	0,240	0,249	on	0,225
750	0,290	0,237	0,229	0,208	0,237	0,230	0,240	request	0,221
600	0,282	0,230	0,221	0,200	0,227	0,221	0,233		0,216
500	0,275	0,224	0,215	0,193	0,219	0,214	0,225		0,211
300	0,261	0,212	0,200	0,176	0,197	0,191	0,204		0,193
100	0,241	0,195	0,178	0,151	0,162	0,153	0,162		0,149
50	0,236	0,190	0,172	0,143	0,151	0,140	0,146		0,130

3

Gear efficiency ratings η_G of HSE gears (without screws)

HSE n_i [min ⁻¹]	32	36.1	50.1	63.1	80.1	100.1	125.1	140	200.1
3000	0,833	0,842	0,864	0,874	0,884	0,900	0,901		0,922
2500	0,827	0,835	0,858	0,868	0,880	0,896	0,898		0,920
2000	0,821	0,828	0,852	0,863	0,877	0,892	0,895		0,918
1500	0,810	0,819	0,842	0,852	0,867	0,886	0,889		0,915
1000	0,793	0,801	0,824	0,833	0,849	0,872	0,878	on	0,908
750	0,782	0,789	0,809	0,819	0,834	0,859	0,863	request	0,901
600	0,772	0,778	0,799	0,805	0,821	0,847	0,851		0,894
500	0,765	0,771	0,789	0,794	0,809	0,836	0,840		0,883
300	0,747	0,750	0,764	0,762	0,774	0,800	0,802		0,849
100	0,721	0,722	0,724	0,707	0,706	0,725	0,711		0,751
50	0,711	0,713	0,709	0,688	0,681	0,692	0,671		0,695
HSE n_i [min ⁻¹]	32 L	36.1 L	50.1 L	63.1 L	80.1 L	100.1 L	125.1 L	140 L	200.1 L
3000	0,632	0,646	0,681	0,677	0,694	0,725	0,773		0,814
2500	0,619	0,633	0,669	0,666	0,686	0,718	0,767		0,812
2000	0,606	0,621	0,656	0,655	0,676	0,711	0,761		0,810
1500	0,587	0,600	0,636	0,636	0,656	0,695	0,749		0,803
1000	0,559	0,568	0,601	0,600	0,621	0,667	0,726	on	0,786
750	0,538	0,547	0,574	0,570	0,594	0,639	0,700	request	0,772
600	0,522	0,531	0,553	0,548	0,569	0,614	0,679		0,754
500	0,510	0,517	0,538	0,529	0,548	0,595	0,656		0,737
300	0,484	0,489	0,501	0,482	0,493	0,531	0,595		0,674
100	0,447	0,450	0,446	0,414	0,406	0,425	0,472		0,520
50	0,438	0,438	0,431	0,392	0,378	0,389	0,426		0,454

Screw jacks

3.4 Technical information

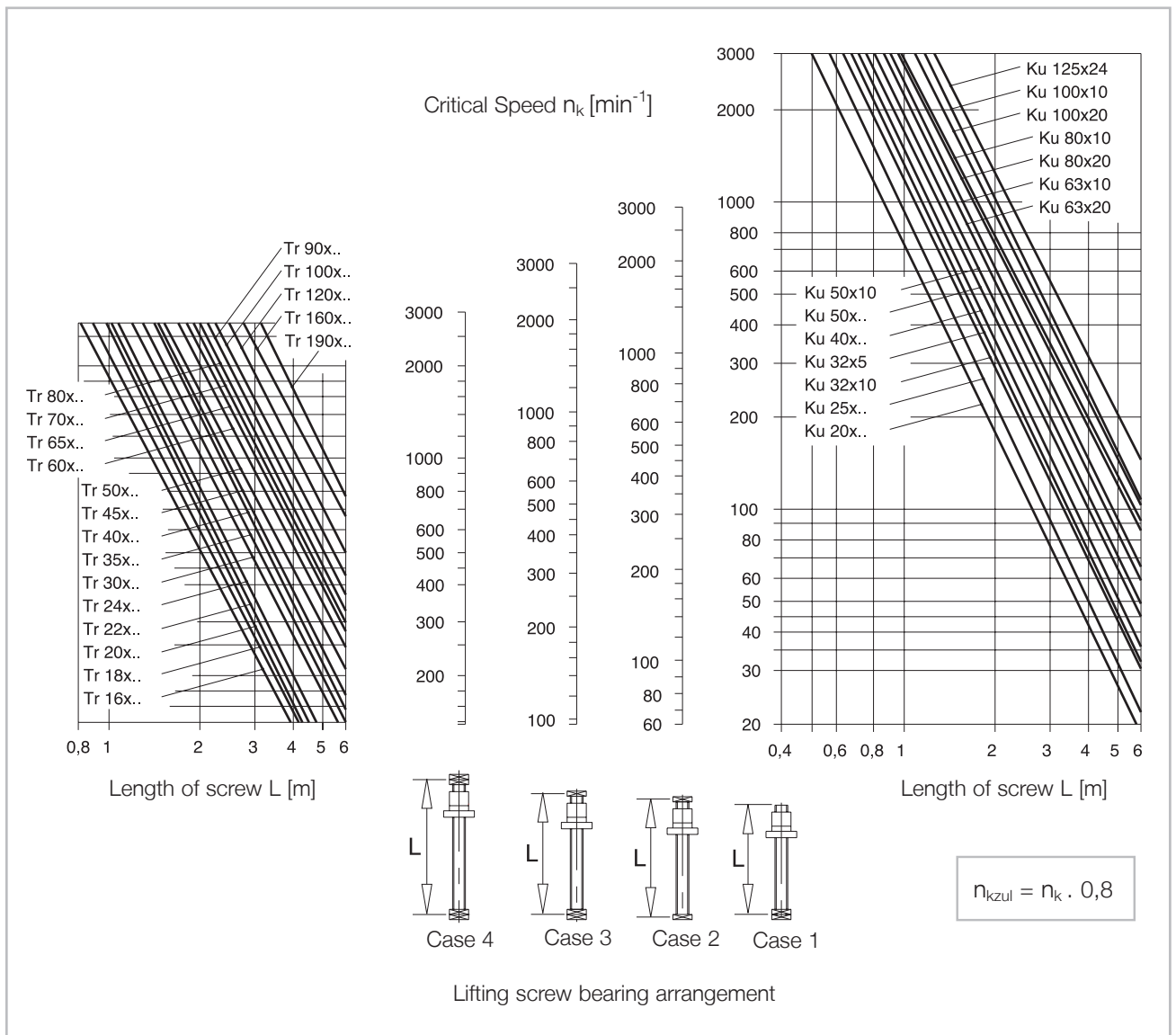
3.4.5.4 Screw efficiency ratings η_{sp} (steel/bronze; lubricated)

Tr screw	14x4	18x6	18x4	20x4	22x5	24x5	26x6,28	30x6	35x8	40x7
Screw efficiency rating [%]	49	54	42,5	40	43	41	45	40	43	36,5
Tr screw	40x8	50x9	58x12	60x9	60x12	65x12	70x10	70x12	80x10	90x16
Screw efficiency rating [%]	40	37	40,5	32,5	39,5	37,5	31,6	35,5	29	36,5
Tr screw	100x10	100x16	120x14	120x16	140x20	160x20	190x24	220x28		
Screw efficiency rating [%]	24	34	28	30	31,6	28,5	28,8	29		

3

3.4.6 Critical screw turning speed

The critical speed (only configuration type 2) is dependent on the screw diameter, the screw length and the screw bearing arrangement (see case 1-4).



Screw jacks

3.4 Technical information

3.4.7 Ball screw (Ku)

Standard dimensions and load ratings for configuration type 1. Other leads and load ratings on request. Reinforced screws with other leads and higher load ratings can be used with configuration type 2.



SHE range

Size	Ku screw	C _{dyn} [kN]	C _{stat} [kN]
3.1	25 x 05	24,1	49,9
	25 x 10	14,8	27,2
5.1	32 x 05	27,0	75,1
	32 x 10	16,6	42,4
15.1	50 x 10	111,5	326,8
	50 x 24	44,2	72,9
20.1	50 x 10	111,5	326,8
	50 x 24	44,2	72,9
25	80 x 10	134,6	575,4
	63 x 20	92,1	288,8
35	100 x 10	145,9	735,5
	80 x 20	145,9	735,5
50.1	125 x 10	157,6	931,5
	100 x 20	on request	on request
75	on request	on request	on request
100.1	160 x 20	172,9	1216
	125 x 24	328,1	1601

MERKUR range

Size	Ku screw	C _{dyn} [kN]	C _{stat} [kN]
M0	-	-	-
M1	16 x 05	9,3	12,7
	16 x 10	10,9	8,3
M2	16 x 20	10,2	14,2
	20 x 05	10,5	17,0
M3	25 x 05	12,1	22,4
	25 x 10	17,4	42,9
M4	25 x 25	16,7	32,6
	40 x 05	23,8	63,5
	40 x 10	35,9	70,0
M5	40 x 20	39,6	87,5
	50 x 10	65,1	153,0
M6		on request	
M7		on request	
M8		on request	

3

$$\eta_{Sp} \approx 0,9$$

HSE range

Size	Ku screw	C _{dyn} [kN]	C _{stat} [kN]
36.1	20 x 05	19,3	23,1
	20 x 10	11,19	14,5
50.1	32 x 05	27,0	75,1
	32 x 10	27,0	75,1
63.1	40 x 10	78,7	170,5
	40 x 24	48,4	85,2
80.1	63 x 10	136	511
	50 x 24	158	247,3
100.1	80 x 10	134,6	575,4
	63 x 20	92,1	288,8
125.1	100 x 20	304,4	1041
	80 x 20	280,5	798,3
140	on request	on request	on request
200.1	160 x 20	172,9	1216
	125 x 24	328,1	1601

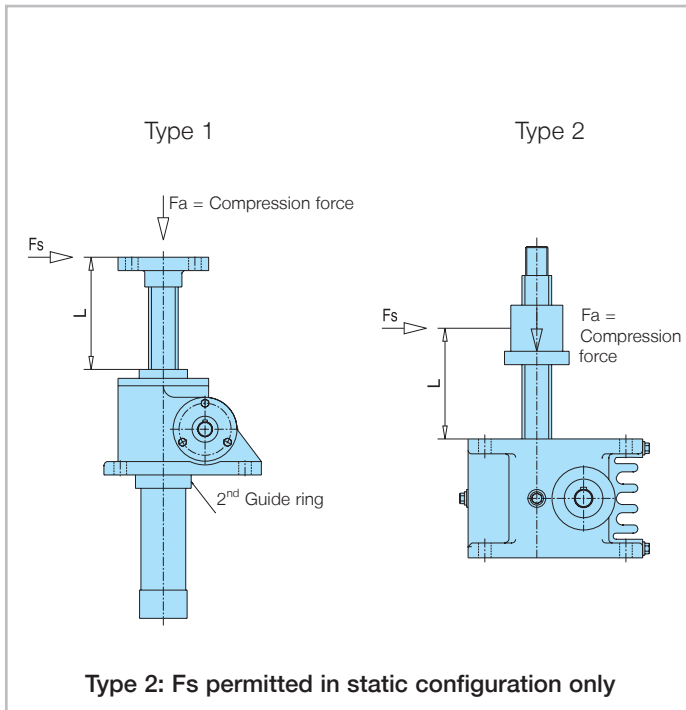
SHG range

Size	Ku screw	C _{dyn} [kN]	C _{stat} [kN]
G15	20 x 20	13,2	19,1
	25 x 05	12,1	19,0
G25	25 x 05	9,5	19,0
	25 x 10	16,5	42,9
G50	32 x 10	30,6	56,0
	32 x 20	27,1	65,0
	32 x 40	15,2	33,5
	40 x 05	23,8	63,5
G90	63 x 10	73,8	200,0

You will find further Ku ball screws in our catalogue „Linear Motion Precision Screws“. Please ask for a copy!

3.4 Technical information

3

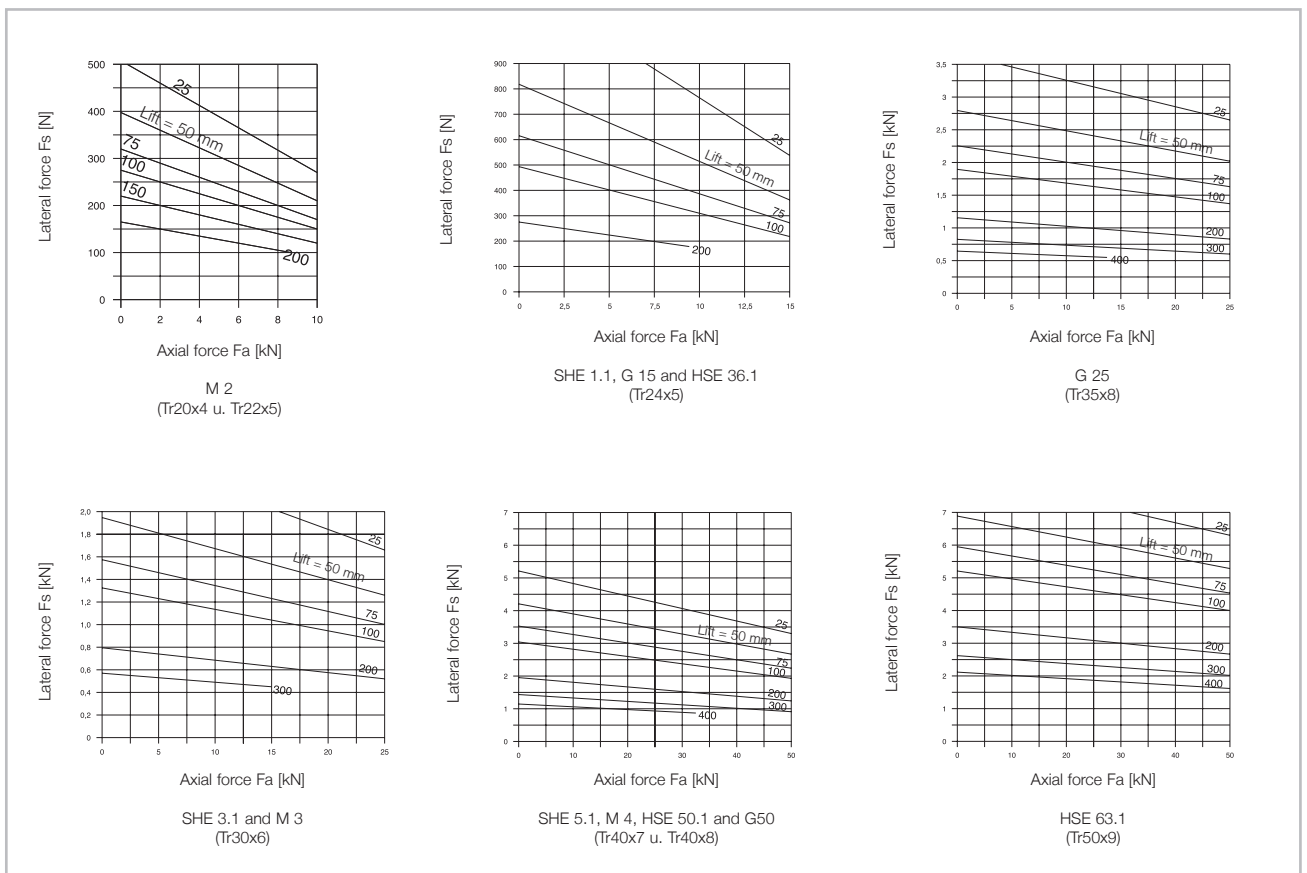


3.4.8 Permitted lateral force on screw

The permitted lateral force (F_s) on the screw depends on the axial force (F_a), the diameter of the screw (d) and the length of the screw (L). As compression and buckling force exercise negative influence, these factors were taken into account when determining this permitted lateral force (F_s). The maximum length of the screw (L) is limited by the value generally used in mechanical engineering applications: "unguided screw length = 4x clamping length".

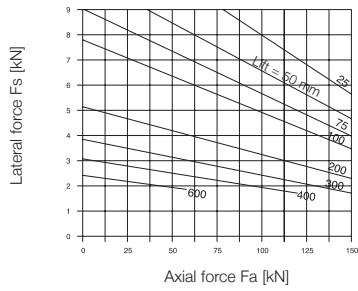
Lateral force on the screw is only permitted on screw jacks fitted with two guide rings.

Lateral forces on screws or travelling nuts exercise a reinforced edge compression on the movement thread, leading to increased wear and a shortened service life.

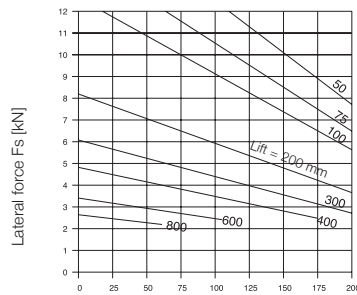


Screw jacks

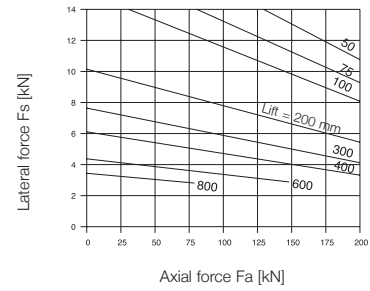
3.4 Technical information



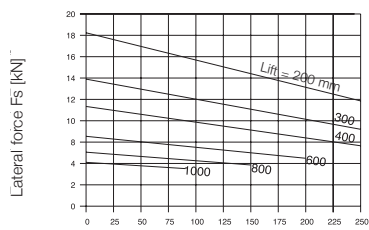
SHE 15.1 and HSE 80.1
(Tr60x12)



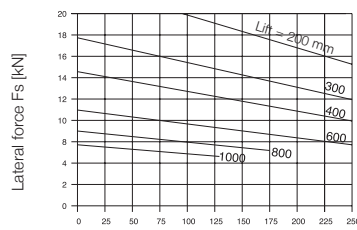
M 5 and G 90
(Tr65x12 and Tr60x9)



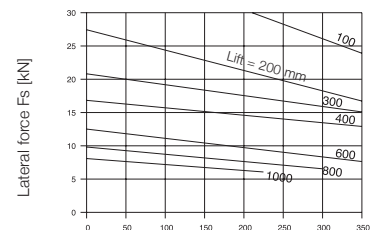
SHE 20.1 and HSE 100.1
(Tr70x12)



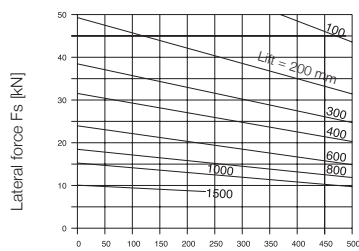
M 6 (Tr80x10)



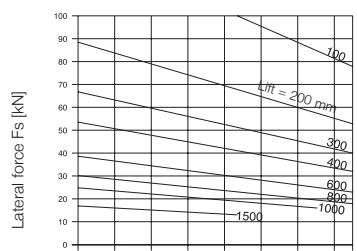
SHE 25 (Tr90x16)



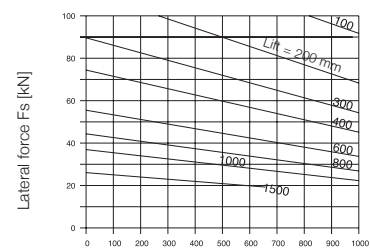
SHE 35, M 7 and HSE 125.1
(Tr100x16 and Tr100x10)



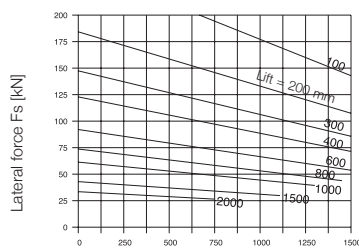
SHE 50.1 and M 8
(Tr120x16 and Tr120x14)



SHE 75
(Tr140x20)



SHE 100.1 and HSE 200.1
(Tr160x20)



SHE 150
(Tr190x24)

3

3.4 Technical information

3.4.9 Permitted radial force on drive system

Toothed and/or chain wheels along with pulley wheels take effect on radial forces on the drive shaft of the worm gear screw jacks. The maximum permitted value depends on the lifting force and size of the screw jack.

The table is calculated for $\varphi \sim 30^\circ$ or 330° . This is the least-favorable bearing with respect to application of the lifting force and turning direction.

3

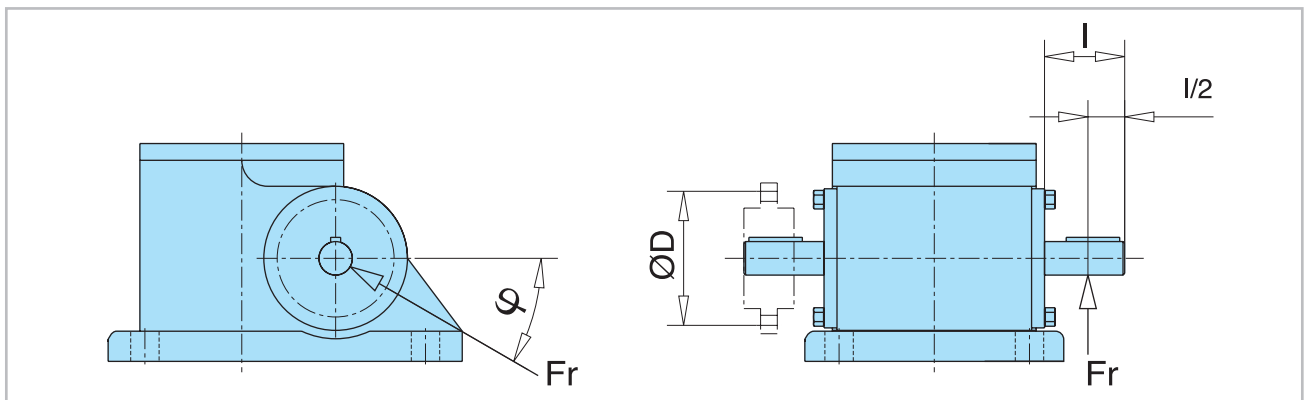
Permitted radial force (Fr) on application of force in 1/2

Minimum diameter (D) for toothed wheel or pulleys:

$$D_{\min} = 19100 \frac{P}{Fr_{\max} \times n} = \frac{2 T_A}{Fr_{\max}} \quad (\text{m})$$

- P (kW) = power rating
- Fr max (N) = max. radial force (according to table)
- n (min⁻¹) = turning speed of drive-shaft
- T_A (Nm) = driving torque

	Fr max (N)	at T _A max (Nm)
SHE range		
0,5 / 0,5 L	250	1,9
1.1 / 1.1 L	350	5,7
2 / 2 L	300	13
3.1 / 3.1 L	350	18
5.1 / 5.1 L	750	44,2
15.1 / 15.1 L	1000	108
20.1 / 20.1 L	1300	182
25 / 25 L	2000	314
35 / 35 L	2300	398
50.1 / 50.1 L	2400	796
100.1 / 100.1 L	5100	1415
150	6300	2011
HSE range		
32 / 32 L	200	2,7
36.1 / 36.1 L	350	5,3
50.1 / 50.1 L	400	14,5
63.1 / 63.1 L	900	32,4
80.1 / 80.1 L	1500	89,7
100.1 / 100.1 L	2000	196
125.1 / 125.1 L	2400	372
140 / 140 L	on request	on request
200.1 / 200.1 L	6300	1223
MERKUR range		
M 0	70	1,5
M 1	100	3,4
M 2	200	7,1
M 3	300	18
M 4	500	38
M 5	800	93
M 6	1300	240
M 7	2100	340
M 8	3100	570
SHG range		
G 15	300	15
G 25	800	40
G 50	1200	97
G 90	1800	199



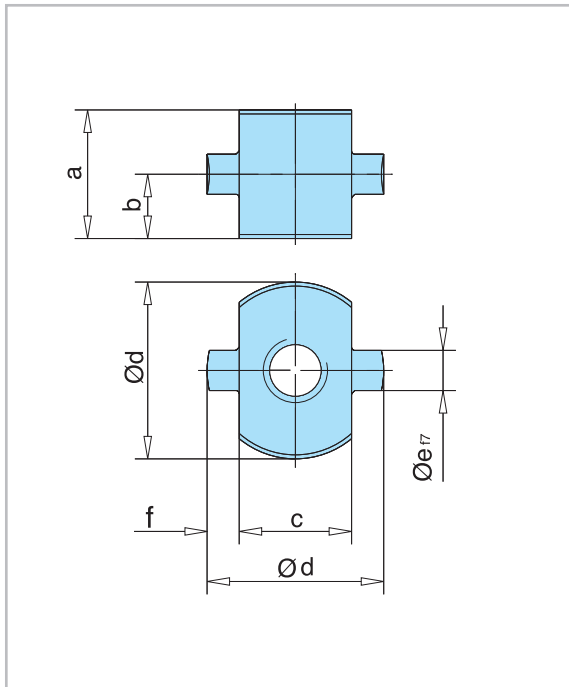
Screw jacks

3.9 Special travelling nuts dimension plans

3.9.1 LWZ Travelling nut with trunnion



3



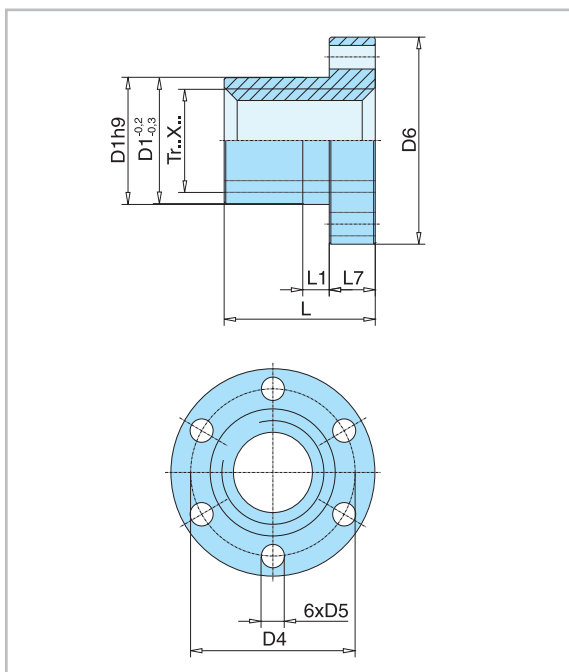
SHE / MERKUR M range

Size	a	b	c	Ød	Øe	f		
0,5	M1	45	22,5	35	50	14	7,5	
1.1	M2	50	25	40	60	18	10	
3.1	M3	60	30	50	80	25	15	
5.1	M4	70	35	62	95	35	16,5	
15.1	M5	90	45	80	130	50	25	
20.1	-	120	60	92	150	65	29	
25	M6	145	72,5	120	190	75	35	
35	M7	on request						
50.1	M8	on request						

HSE range

Size	a	b	c	Ød	Øe	f	
32	45	22,5	35	50	14	7,5	
36.1	50	25	40	60	18	10	
50.1	60	30	50	80	25	15	
63.1	70	35	62	95	35	16,5	
80.1	120	60	80	130	50	25	
100.1	120	60	92	150	65	29	
125.1	on request						
140	on request						

3.9.2 Travelling nut with hole pattern



TFM for SHE range

Size	D1h9	D4	D5	D6	L	L1	L7
1.1	45	60	7	75	40	-	12
3.1	50	65	9	80	45	-	15
5.1	70	85	9	100	60	-	18
15.1	90	110	11	130	75	-	25
20.1	90	115	13,5	145	100	-	30
25	130	160	17,5	190	120	-	35

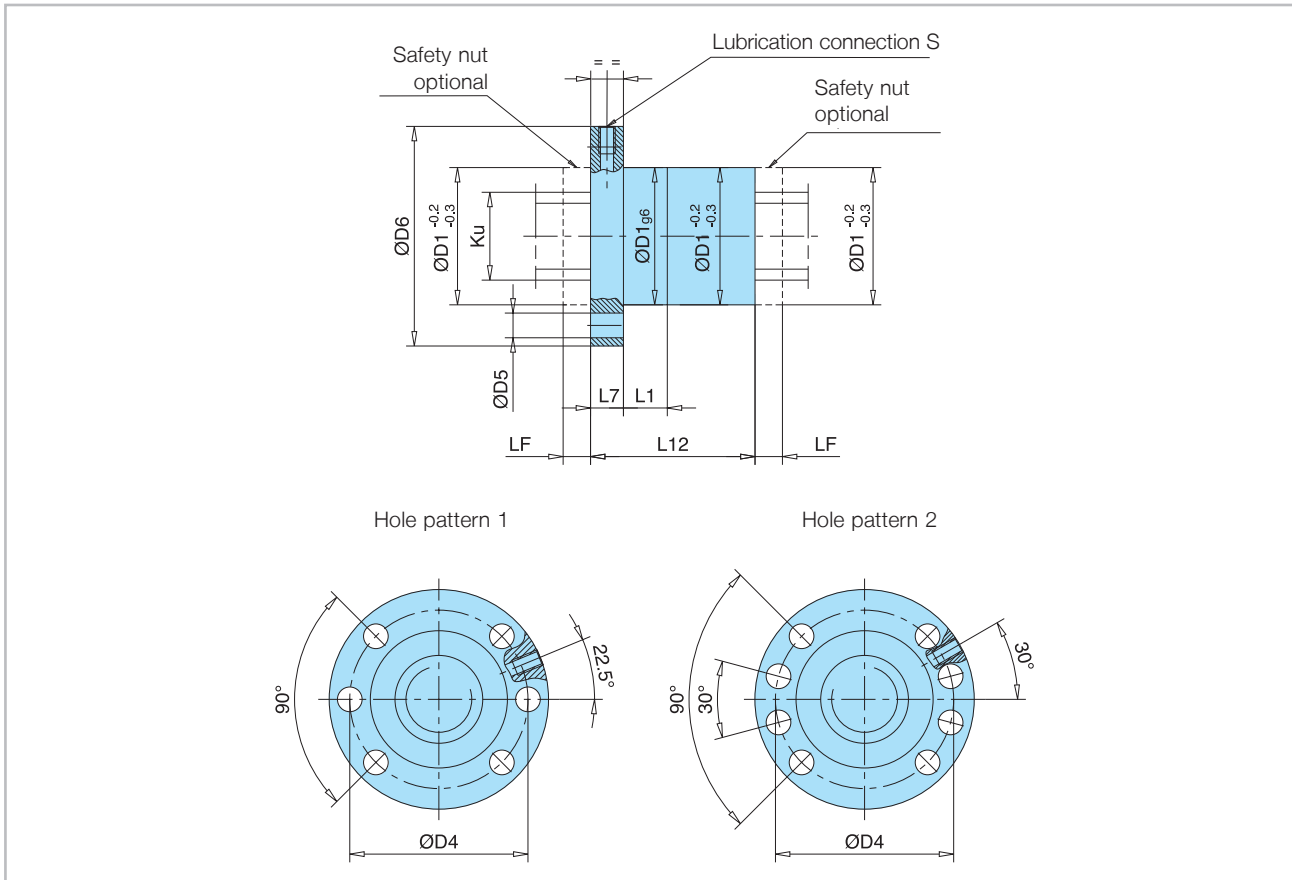
TGM-EFM for MERKUR M / SHG G range

Size	D1	D4	D5	D6	L	L1	L7
M0	28	38	6	48	35	8	12
M1	28	38	6	48	44	8	12
M2	32	45	7	55	44	8	12
G15	32	45	7	55	44	8	12
M3	38	50	7	62	46	8	14
M4 / G50	63	78	9	95	73	10	16
M5 / G90	85	105	11	125	99	10	20

Screw jacks

3.9 Special travelling nuts dimension plans

3.9.3 EFM single flange nut for ball screw (Ku) for all ranges



3

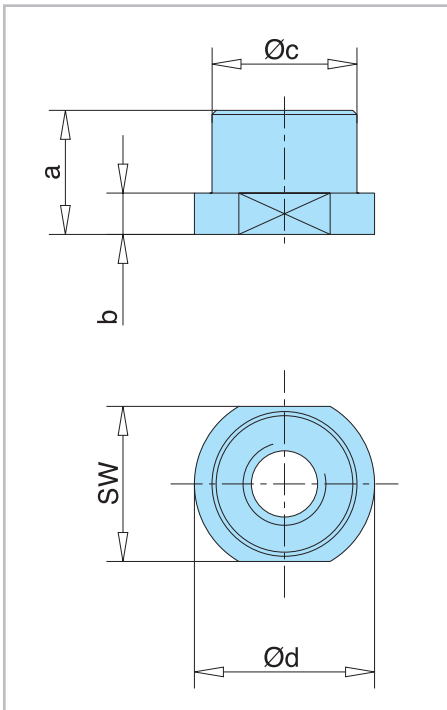
Size Ku d0 x P - Dw - i	Load ratings		Nut dimensions										Hole pattern	
	C _{dyn} [kN]	C _{stat} [kN]	D1	D4	D5	D6	L1	L7	L12	S	catch nut	LF		
20 x 05RH - 3,5 - 4	22,7	42,6	36	47	6,6	58	10	10	43	M6	1	15		
20 x 10RH - 3,5 - 2	14,0	21,3	36	47	6,6	58	10	10	26	M6	1	20		
25 x 05RH - 3,5 - 4	24,2	54,8	40	51	6,6	62	10	10	43	M6	1	15		
25 x 10RH - 3,5 - 3	19,8	41,1	40	51	6,6	62	16	10	59	M6	1	20		
32 x 05RH - 3,5 - 5	30,8	91,4	50	65	9	80	10	12	50	M6	1	15		
32 x 10RH - 5 - 3	36,6	74,5	50	65	9	80	16	12	40	M6	1	25		
40 x 10RH - 7 - 4	79,2	170,5	63	78	9	93	16	14	76	M8x1	2	30		
40 x 20RH - 7 - 2	48,7	85,3	63	78	9	93	17	14	51	M8x1	2	50		
50 x 10RH - 7 - 6	112,1	328,8	75	93	11	110	16	16	101	M8x1	2	30		
50 x 20RH - 12,7 - 3	158,0	244,8	85	103	11	120	16	16	117	M8x1	2	50		
50 x 24RH - 12,7 - 3	158,0	244,8	85	103	11	120	18	16	92	M8x1	2	55		
63 x 10RH - 7 - 6	122,8	438,2	90	108	11	125	16	18	103	M8x1	2	30		
63 x 20RH - 12,7 - 3	173,5	333,2	95	115	13,5	135	25	20	121	M8x1	2	35		
80 x 10RH - 7 - 6	135,0	584,5	105	125	13,5	145	16	20	105	M8x1	2	30		
80 x 20RH - 12,7 - 5	282,0	800,7	125	145	13,5	165	25	25	170	M8x1	2	50		
100 x 10RH - 7 - 6	146,2	749,9	125	145	13,5	165	16	22	107	M8x1	2	30		
100 x 20RH - 12,7 - 6	336,6	1203,1	150	176	17,5	202	25	30	195	M8x1	2	60		
125 x 10RH - 7 - 6	157,9	952,6	150	170	13,5	190	25	25	110	M8x1	2	40		
125 x 24RH - 12,7 - 6	373,9	1622,2	170	196	17,5	222	25	40	235	M8x1	2	60		
160 x 20RH - 15 - 6	522	2476	on request											

Further Ku nuts on request

Screw jacks

3.9 Special travelling nuts dimension plans

3.9.4 LSF Travelling nut with flat surface



SHE / MERKUR M range

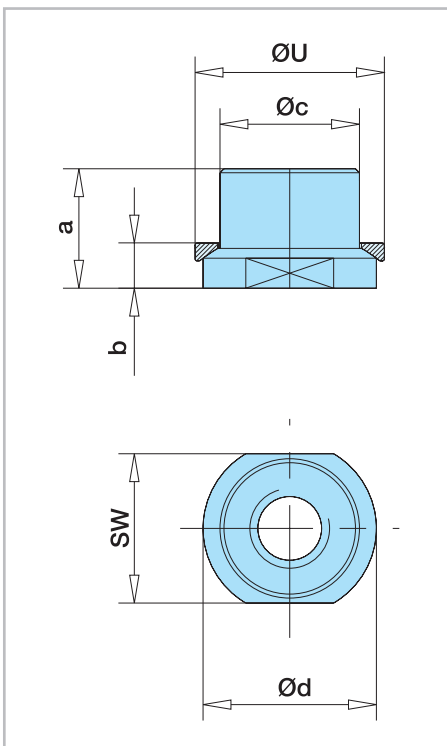
Size		a	b	Øc	Ød	SW
0,5	M1	32	10	40	50	44
1.1	M2	40	12	45	65	50
3.1	M3	45	15	50	80	62
5.1	M4	60	18	70	87	75
15.1	M5	75	25	90	110	95
20.1	-	100	30	90	120	100
25	M6	120	35	130	155	135
35	M7	145	35	150	190	160
50.1	M8	155	50	160	225	180

HSE range

Size	a	b	Øc	Ød	SW
32	45	12	40	50	44
36.1	55	15	45	65	50
50.1	80	18	70	87	75
63.1	100	22	80	105	85
80.1	130	25	90	110	95
100.1	130	30	90	120	100
125.1	160	45	150	190	160

Further designs on request

3.9.5 LSA Travelling nut with spherical support



SHE and MERKUR M range

Size	a	b	Øc	Ød	ØU	SW
0,5	32	10	40	50	55	44
1.1	40	12	45	65	65	50
3.1 / M3	45	15	50	80	82	62
5.1	60	18	70	87	95	75
15.1	75	25	90	110	120	95
20.1	100	30	90	120	120	100
25 / M6	120	35	130	155	175	135
35 / M7	145	35	150	190	195	160
50.1 / M8	155	50	160	225	220	180

HSE range

Size	a	b	Øc	Ød	ØU	SW
32	45	12	40	50	55	44
36.1	55	15	45	65	65	50
50.1	80	18	70	87	95	75
63.1	100	22	80	105	110	85
80.1	130	25	90	110	120	95
100.1	130	30	90	120	120	100
125.1	160	45	150	190	195	160

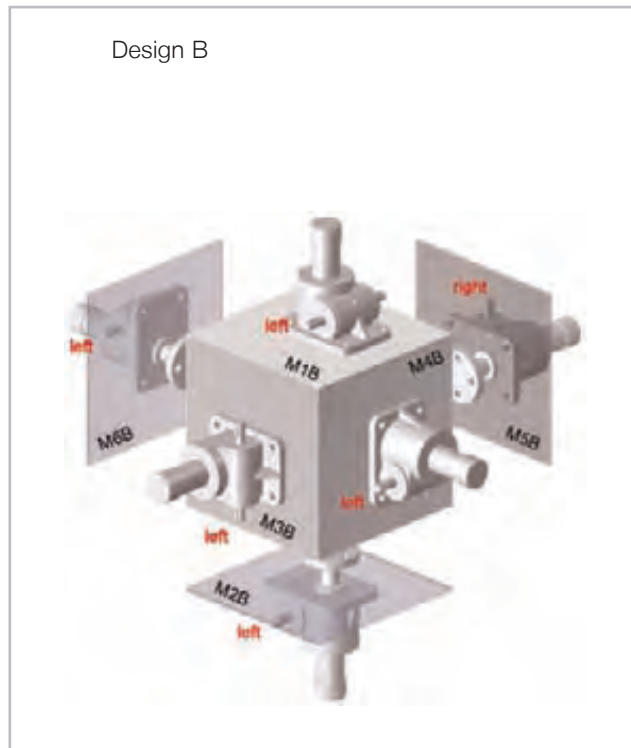
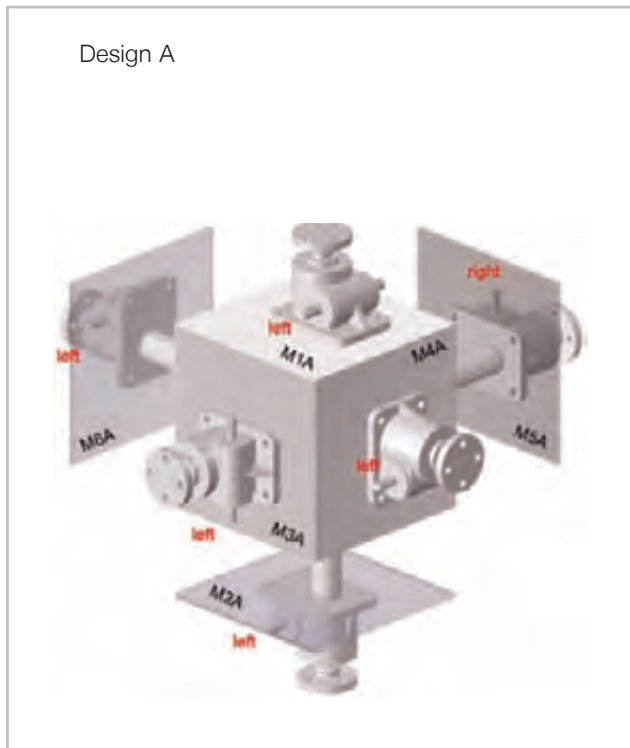
Further designs on request

3

Screw jacks

3.10 Mounting positions, shaft/attachment side

3.10.1 SHE range



3

3.10.2 MERKUR range

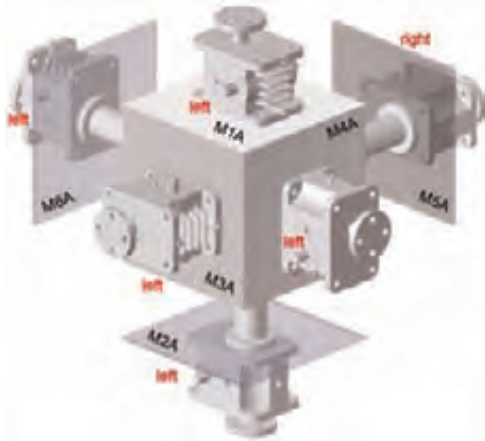


Screw jacks

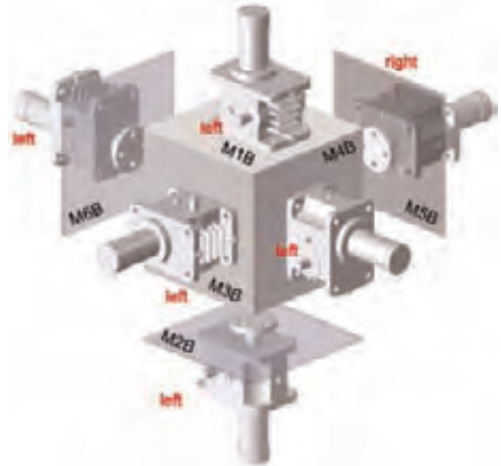
3.10 Mounting positions, shaft/attachment side

3.10.3 HSE range

Design A

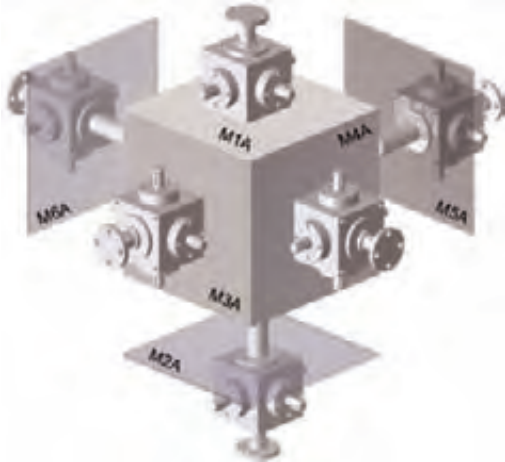


Design B

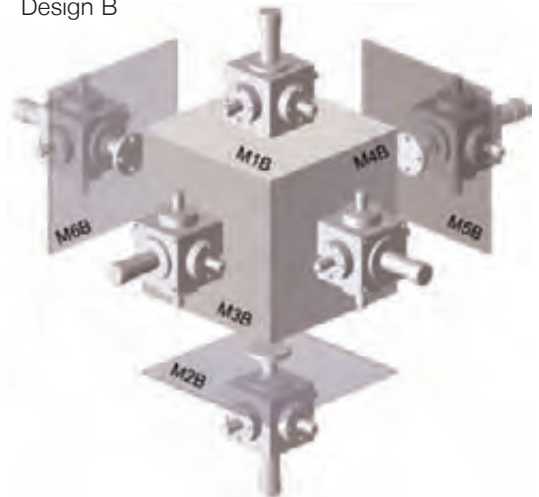


3.10.4 SHG range

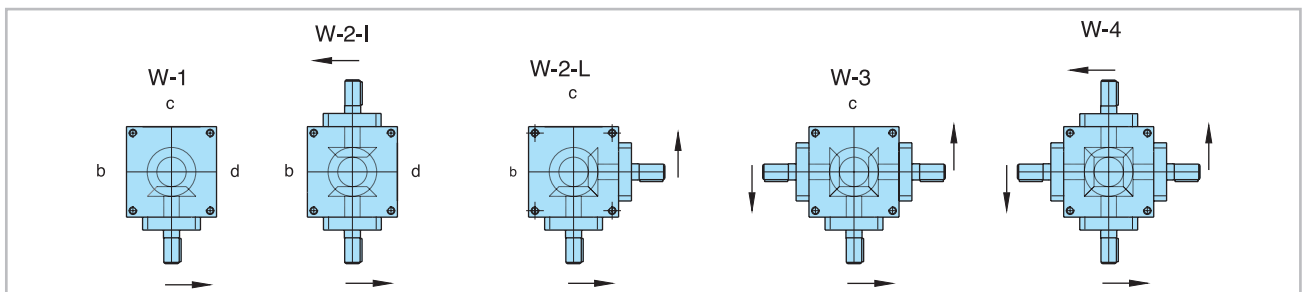
Design A



Design B



Shaft layout/Position of the oil fittings (b/c/d) - View from screw side



Screw jacks

3.11 Ordering details

3.11.1 SHE range

1	2	3	4	5	6	7	8	9	10	11	12	13	14		
S H E - ■■■■ - ■■■■ - ■■■■ - ■■■■ - ■■■■ - ■■■■ - ■■■■ - ■■■■ - ■■■■ - ■■■■ - ■■■■ - ■■■■ X ■■■■ - ■■■■ - ...															
1	Range						SHE	7	Mounting position						M1A / M1B / M2A / M2B
2	Size						0,5 / 1.1 ¹⁾ / 2 / 3.1 ¹⁾ / 5.1 ¹⁾ / (10 ¹⁾ 15.1 ¹⁾ / 20.1 ¹⁾ / 25 / 35 / 50.1 ¹⁾ 75 / 100.1 ¹⁾ / 150 / 200.1 ¹⁾	8	Head [Type 1]						I / II / III / IV
3	Configuration type						1 / 2		[Type 2]						I / III
4	Design						A / B	9	Lift						Lift (mm)
5	Screw side variant						[Type 1] F	10	VL [Type 1]						VL (mm)
							[Type 2] 0		NL [Type 2]						NL (mm)
6	Protective tube side variant						[Type 1] K / F / S / Sf / Se / Si / Sm V / Ve / Vi / Vm	11	Ratio						N / L
							[Type 2] 0	12	Screw						Tr (DxP) / Ku (DxP)
								13	Drive shaft						b (both sides), r (right), l (left)
								14	Options						according to specification, description or drawing (see chapter 3.5)

¹⁾ Size X.1 replaces previous size
The new sizes are compatible with the previous sizes.
Previous sizes are available upon request

3.11.2 MERKUR range

1	2	3	4	5	6	7	8	9	10	11	
M E R K U R - ■■■■ - ■■■■ - ■■■■ - ■■■■ - ■■■■ - ■■■■ - ■■■■ - ■■■■ - ■■■■ X ■■■■ - ■■■■ - ...											
1	Range										MERKUR
2	Size										M0 / M1 / M2 / M3 / M4 M5 / M6 / M7 / M8
3	Configuration type										1 / 2
4	Mounting position										M1A / M1B / M2A / M2B M3A / M3B / M4A / M4B M5A / M5B / M6A / M6B
5	Head [Type 1]										II / III / IV / GK
	[Type 2]										I
6	Lift										Lift (mm)
7	VL [Type 1]										VL (mm)
	NL [Type 2]										NL (mm)
8	Ratio										N / L
9	Screw										Tr (DxP) / Ku (DxP)
10	Drive shaft										b (both sides)
11	Options										according to specification, description or drawing (see chapter 3.6)

3.11.3 HSE range

1	2	3	4	5	6	7	8	9	10	11	12	13	
H S E - ■■■■ - ■■■■ - ■■■■ - ■■■■ - ■■■■ - ■■■■ - ■■■■ - ■■■■ - ■■■■ - ■■■■ - ■■■■ X ■■■■ - ■■■■ - ...													
1	Range												HSE
2	Size												32 ²⁾ / 36.1 ²⁾ / 50.1 ²⁾ / 63.1 ²⁾ 80.1 ²⁾ / 100.1 ²⁾ / 125.1 ²⁾ / 200.1 ²⁾
3	Configuration type												1 / 2
4	Layout on screw side												[Type 1] K / H / F [Type 2] K / H
5	Layout on protection tube side												[Type 1] K / H / S / Sf / Sm / Si / V / Vm / Vi [Type 2] K / H
6	Mounting position												M1A / M1B / M2A / M2B M3A / M3B / M4A / M4B M5A / M5B / M6A / M6B
7	Head [Type 1]												I / II / III / IV
	[Type 2]												I / III
8	Lift												Lift (mm)
9	VL [Type 1]												VL (mm)
	NL [Type 2]												NL (mm)
10	Ratio												N / L
11	Screw												Tr (DxP) / Ku (DxP)
12	Drive shaft												r (right) (see section 3.10.3) l (left) b (both sides)
13	Options												according to specification, description or drawing (see chapter 3.7)

²⁾ Size 32 will replace the existing size 31 and size X.1 replace previous sizes.
Previous sizes are available upon request

